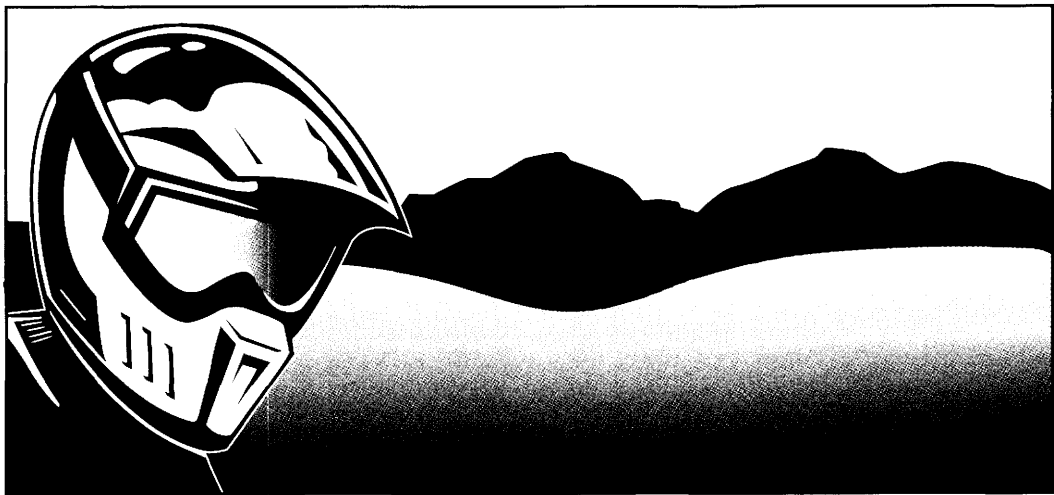


 **HONDA**

# OWNER'S MANUAL



# **X R 2 5 0**



**Honda XR250**

**OWNER'S MANUAL**

© Honda Motor Co., Ltd. 2006

## **IMPORTANT INFORMATION**

- **OPERATOR AND PASSENGER**

This motorcycle is designed to carry the operator and one passenger. Never exceed the maximum weight capacity.

- **ON/OFF-ROAD USE**

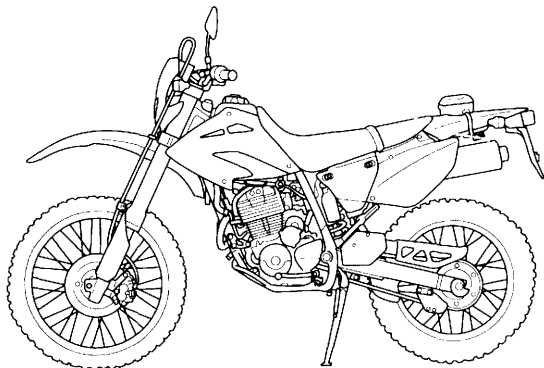
This motorcycle is designed for “dual purpose” use.

- **READ THIS OWNER'S MANUAL CAREFULLY**

Pay special attention to the safety messages that appear throughout the manual. These messages are fully explained in the “A Few Words About Safety” section which appears before the Contents page.

This manual should be considered a permanent part of the motorcycle and should remain with the motorcycle when resold.

# **Honda XR250 OWNER'S MANUAL**



**All information in this publication is based on the latest production information available at the time of approval for printing. Honda Motor Co.,Ltd. reserves the right to make changes at any time without notice and without incurring any obligation.**

**No part of this publication may be reproduced without written permission.**

## **WELCOME**

The motorcycle presents you a challenge to master the machine, a challenge to adventure. You ride through the wind, linked to the road by a vehicle that responds to your commands as no other does. Unlike an automobile, there is no metal cage around you. Like an airplane, a pre-ride inspection and regular maintenance are essential to your safety. Your reward is freedom.

To meet the challenges safely, and to enjoy the adventure fully, you should become thoroughly familiar with this owner's manual **BEFORE YOU RIDE THE MOTORCYCLE**.

As you read this manual, you will find information that is preceded by a **NOTICE** symbol. This information is intended to help you avoid damage to your motorcycle, other property, or the environment.

When service is required, remember that your Honda dealer knows your motorcycle best. If you have the required mechanical "know-how" and tools, your dealer can supply you with an official Honda Shop Manual to help you perform many maintenance and repair tasks.

Pleasant riding, and thank you for choosing a Honda !

- The following code in this manual indicates the country.

U	Australia
---	-----------

- The specifications may vary with each locale.


## A FEW WORDS ABOUT SAFETY

Your safety, and the safety of others, is very important. And operating this motorcycle safely is an important responsibility.

To help you make informed decisions about safety, we have provided operating procedures and other information on labels and in this manual. This information alerts you to potential hazards that could hurt you or others.

Of course, it is not practical or possible to warn you about all hazards associated with operating or maintaining a motorcycle. You must use your own good judgment.

You will find important safety information in a variety of forms, including:

- **Safety Labels** — on the motorcycle.
- **Safety Messages** — preceded by a safety alert symbol  and one of three signal words: **DANGER**, **WARNING**, or **CAUTION**.

These signal words mean:



**▲ DANGER**

You **WILL** be **KILLED** or **SERIOUSLY HURT** if you don't follow instructions.

**▲ WARNING**

You **CAN** be **KILLED** or **SERIOUSLY HURT** if you don't follow instructions.

**▲ CAUTION**

You **CAN** be **HURT** if you don't follow instructions.

- **Safety Headings** — such as Important Safety Reminders or Important Safety Precautions.
- **Safety Section** — such as Motorcycle Safety.
- **Instructions** — how to use this motorcycle correctly and safely.

This entire manual is filled with important safety information — please read it carefully.

# OPERATION

page

## **1 MOTORCYCLE SAFETY**

- 1 IMPORTANT SAFETY INFORMATION
- 3 PROTECTIVE APPAREL
- 5 LOAD LIMITS AND GUIDELINES
- 9 OFF-ROAD SAFETY

## **10 PARTS LOCATION**

- 13 INSTRUMENTS AND INDICATORS

## **15 MAJOR COMPONENTS**

**(Information you need to operate this motorcycle)**

- 15 SUSPENSION
- 18 BRAKES
- 20 CLUTCH
- 22 FUEL
- 26 ENGINE OIL
- 28 TYRES

page

## **33 ESSENTIAL INDIVIDUAL COMPONENTS**

- 33 IGNITION SWITCH
- 34 KEYS
- 35 RIGHT HANDLEBAR CONTROLS
- 36 LEFT HANDLEBAR CONTROLS

page

**37 FEATURES**

**(Not required for operation)**

- 37 STEERING LOCK
- 38 HELMET HOLDER
- 39 LEFT SIDE COVER
- 40 DOCUMENT BAG
- 41 HEADLIGHT AIM VERTICAL  
ADJUSTMENT

page

**42 OPERATION**

- 42 PRE-RIDE INSPECTION
- 44 STARTING THE ENGINE
- 48 RUNNING-IN
- 49 RIDING
- 51 BRAKING
- 52 PARKING
- 53 ANTI-THEFT TIPS

# MAINTENANCE

page	
<b>54</b>	<b>MAINTENANCE</b>
54	THE IMPORTANCE OF MAINTENANCE
55	MAINTENANCE SAFETY
56	SAFETY PRECAUTIONS
57	MAINTENANCE SCHEDULE
60	TOOL KIT
61	SERIAL NUMBERS
62	COLOUR LABEL
63	AIR CLEANER
65	CRANKCASE BREATHER
66	ENGINE OIL
74	SPARK PLUG
76	THROTTLE OPERATION
77	IDLE SPEED
78	DRIVE CHAIN
84	DRIVE CHAIN SLIDER
85	FRONT AND REAR SUSPENSION INSPECTION
86	SIDE STAND
87	WHEEL REMOVAL
91	BRAKE PAD WEAR
92	BATTERY

page	
94	FUSE REPLACEMENT
97	BRAKELIGHT SWITCH ADJUSTMENT
98	BULB REPLACEMENT
<b>102</b>	<b>CLEANING</b>
<b>105</b>	<b>STORAGE GUIDE</b>
105	STORAGE
107	REMOVAL FROM STORAGE
<b>108</b>	<b>SPECIFICATIONS</b>
<b>112</b>	<b>NOISE CONTROL SYSTEM</b>

# **MOTORCYCLE SAFETY**

## **IMPORTANT SAFETY INFORMATION**

Your motorcycle can provide many years of service and pleasure – if you take responsibility for your own safety and understand the challenges that you can meet on and off-road.

There is much that you can do to protect yourself when you ride. You'll find many helpful recommendations throughout this manual. Following are a few that we consider most important.

### **Always Wear a Helmet**

It's a proven fact: helmets significantly reduce the number and severity of head injuries. So always wear an approved motorcycle helmet and make sure your passenger does the same. We also recommend that you wear eye protection, sturdy boots, gloves, and other protective gear (page 3 ).

### **Make Yourself Easy to See On-Road**

Some drivers do not see motorcycles because they are not looking for them. To make yourself more visible, wear bright reflective clothing, position yourself so other drivers can see you, signal before turning or changing lanes, and use your horn when it will help others notice you.

### **Be Alert for Off-Road Hazards**

The terrain can present a variety of challenges when you ride off-road. Continually “read” the terrain for unexpected turns, drop-offs, rocks, ruts, and other hazards. Always keep your speed low enough to allow time to see and react to hazards.

### **Ride Within Your Limits**

Pushing the limits is another major cause of motorcycle accident both on-road and off. Never ride beyond your personal abilities or faster than conditions warrant. Remember that alcohol, drugs, fatigue and inattention can significantly reduce your ability to make good judgements and ride safely.

### **Keep Your Bike in Safe Condition**

For safe riding, it's important to keep your motorcycle properly maintained. Having a breakdown can be difficult, especially if you are stranded off-road far from your base. To help avoid problems, inspect your motorcycle before every ride and perform all recommended maintenance. Never exceed load limits, and use only accessories that have been approved by Honda for this motorcycle. See page 5 for more details.

### **Don't Drink and Ride**

Alcohol and riding don't mix. Even one drink can reduce your ability to respond to changing conditions, and your reaction time gets worse with every additional drink. So don't drink and ride, and don't let your friends drink and ride either.

## **PROTECTIVE APPAREL**

For your safety, we strongly recommend that you always wear an approved motorcycle helmet, eye protection, boots, gloves, long pants, and a long-sleeved shirt or jacket whenever you ride. Although complete protection is not possible, wearing proper gear can reduce the chance of injury when you ride.

Following are suggestions to help you choose proper gear.

### **⚠️ WARNING**

Not wearing a helmet increases the chance of serious injury or death in a crash.

Be sure you and your passenger always wear a helmet, eye protection and other protective apparel when you ride.

## **Helmets and Eye Protection**

Your helmet is your most important piece of riding gear because it offers the best protection against head injuries. A helmet should fit your head comfortably and securely. A bright-coloured helmet can make you more noticeable in traffic, as can reflective strips.

An open-face helmet offers some protection, but a full-face helmet offers more. Always wear a face shield or goggles to protect your eyes and help your vision.

### **Additional On-Road Gear**

In addition to a helmet and eye protection, we also recommend:

- Sturdy boots with non-slip soles to help protect your feet and ankles.
- Leather gloves to keep your hands warm and help prevent blisters, cuts, burns and bruises.
- A motorcycle riding suit or jacket for comfort as well as protection. Bright-coloured and reflective clothing can help make you more noticeable in traffic. Be sure to avoid loose clothes that could get caught on any part of your motorcycle.

### **Additional Off-Road Gear**

On-road apparel may also be suitable for casual off-road riding. But if you plan on any serious off-road riding you will need more serious off-road gear. In addition to your helmet and eye protection, we recommend off-road motorcycle boots and gloves, riding pants with knee and hip pads, a jersey with elbow pads, and a chest/shoulder protector.



## LOAD LIMITS AND GUIDELINES

Your motorcycle has been designed to carry you and one passenger. When you carry a passenger, you may feel some difference during acceleration and braking. But so long as you keep your motorcycle well-maintained, with good tyres and brakes, you can safely carry loads within the given limits and guidelines.

In addition, exceeding the weight limits or carrying an unbalanced load can seriously affect your motorcycle's handling, braking, and stability. Adding accessories or making modifications that change this motorcycle's design and performance can also make it unsafe. Also, the weight of any accessories will reduce the maximum load the motorcycle can carry.

The following pages give more specific information on loading, accessories and modifications.

## Loading

How much weight you put on your motorcycle, and how you load it, are important to your safety. If you decide to carry cargo, you should be aware of the following information.

### **WARNING**

Overloading or improper loading can cause a crash and you can be seriously hurt or killed.

Follow all load limits and other loading guidelines in this manual.

## **Load Limits**

Following are the load limits for your motorcycle:

### **Maximum weight capacity:**

159 kg (351 lbs)

Includes the weight of the rider, passenger, all cargo and all accessories

## **Loading Guidelines**

Your motorcycle is primarily intended for transporting you and a passenger. You may wish to secure a jacket or other small items to the seat when you are not riding with a passenger.

If you wish to carry more cargo, check with your Honda dealer for advice, and be sure to read the information regarding accessories on page 7.

Improperly loading your motorcycle can affect its stability and handling. Even if your motorcycle is properly loaded, you should ride at reduced speeds and never exceed 130 km/h (80 mph) when carrying cargo.

Follow these guidelines whenever you carry a passenger or cargo:

- Keep cargo small and light. Make sure it cannot easily be caught on brush or other objects, and that it does not interfere with your ability to shift position to maintain balance and stability.
- Place weight as close to the center of the motorcycle as possible.
- Do not attach large or heavy items (such as a sleeping bag or tent) to the handlebar, fork, or front fender.
- Make sure that all cargo is tied down securely.
- Never exceed the maximum weight limit.
- Check that both tyres are properly inflated (page 28 ).
- If you change your normal load, you may need to adjust the front suspension (page 15 ) and the rear suspension (page 16 ).

### **Accessories and Modifications**

Modifying your motorcycle or using non-Honda accessories can make your motorcycle unsafe. Before you consider making any modifications or adding an accessory, be sure to read the following information.

#### **WARNING**

Improper accessories or modifications can cause a crash in which you can be seriously hurt or killed.

Follow all instructions in this owner's manual regarding accessories and modifications.

## **Accessories**

We strongly recommend that you use only genuine Honda accessories that have been specifically designed and tested for your motorcycle. Because Honda cannot test all other accessories, you must be personally responsible for proper selection, installation and use of non-Honda accessories. Check with your dealer for assistance and always follow these guidelines:

- Make sure the accessory does not obscure any lights, reduce ground clearance and banking angle, limit suspension travel or steering travel, alter your riding position or interfere with operating any controls.
- Be sure electrical equipment does not exceed the motorcycle's electrical system capacity (page 111). A blown fuse can cause a loss of lights or engine power.

- Do not pull a trailer or sidecar with your motorcycle. This motorcycle was not designed for these attachments, and their use can seriously impair your motorcycle's handling.

## **Modifications**

We strongly advise you not to remove any original equipment or modify your motorcycle in any way that would change its design or operation. Such changes could seriously impair your motorcycle's handling, stability and braking, making it unsafe to ride.

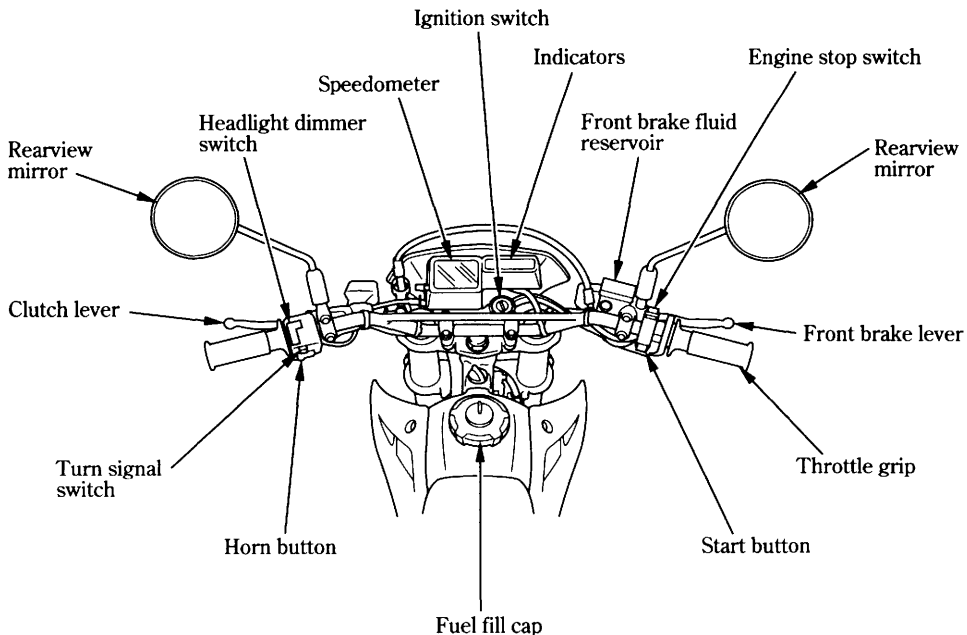
Removing or modifying your lights, mufflers, emission control system or other equipment can also make your motorcycle illegal.

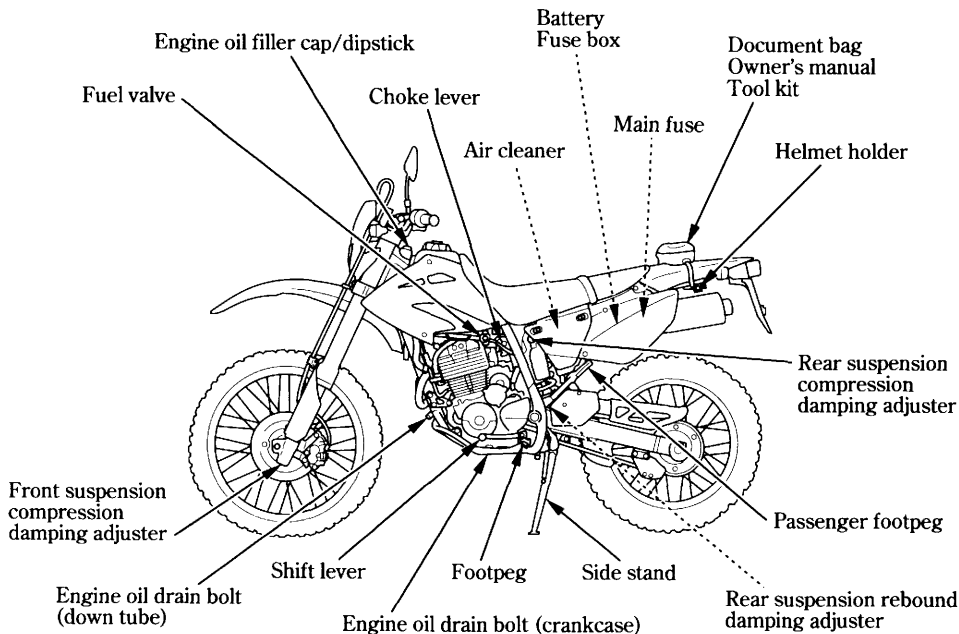
## **OFF-ROAD SAFETY**

Learn to ride in an uncongested off-road area free of obstacles before venturing onto unfamiliar terrain.

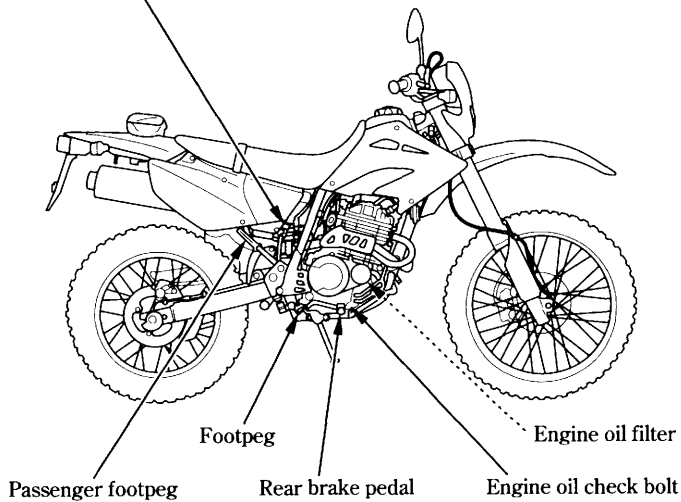
- Always obey local off-road riding laws and regulations.
  - Obtain permission to ride on private property. Avoid posted areas and obey “NO Trespassing” signs.
  - Ride with a friend on another motorcycle so that you can assist each other in case of trouble.
  - Familiarity with your motorcycle is critically important should a problem occur far from help.
  - Never ride beyond your ability and experience or faster than conditions warrant.
  - If you are not familiar with the terrain, ride cautiously. Hidden rocks, holes, or ravines could spell disaster.
- Muffler is required in most off-road areas. Don't modify your exhaust system. Remember that excessive noise bothers everyone and creates a bad image for motorcycling.

# PARTS LOCATION





Rear brake fluid reservoir

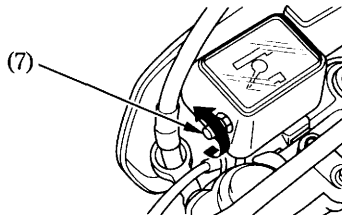
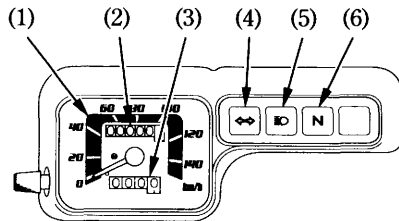




## INSTRUMENTS AND INDICATORS

The indicators are in the speedometer, above the headlight. Their functions are described in the table on the following page.

- (1) Speedometer
- (2) Odometer
- (3) Tripmeter
- (4) Turn signal indicator
- (5) High beam indicator
- (6) Neutral indicator
- (7) Tripmeter reset knob



<b>(Ref.No.) Description</b>	<b>Function</b>
(1) Speedometer	Shows riding speed.
(2) Odometer	Shows accumulated mileage.
(3) Tripmeter	Shows mileage per trip.
(4) Turn signal indicator (orange)	Flashes when either turn signal operates.
(5) High beam indicator (blue)	Lights when the headlight is on high beam.
(6) Neutral indicator (green)	Lights when the transmission is in neutral.
(7) Tripmeter reset knob	Resets tripmeter to zero (0). Turn knob in direction shown.

## MAJOR COMPONENTS

### (Information you need to operate this motorcycle)

#### SUSPENSION

##### Front Suspension

##### Compression Damping:

To reduce (SOFT) :

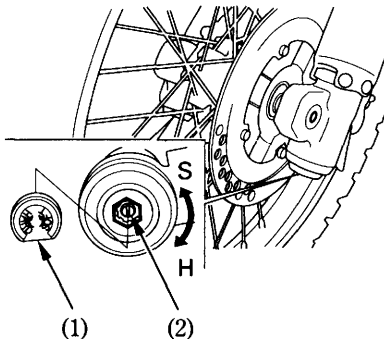
Turn the adjuster counterclockwise toward SOFT for a light load and smooth road condition.

To increase (HARD) :

Turn the adjuster clockwise toward HARD for a firmer ride and rough road condition.

To adjust the adjuster to the standard position, proceed as follows :

1. Remove the cap (1) and turn the damping adjuster (2) clockwise until it will no longer turn (lightly seats). This is the full hard setting.
2. Turn the damping adjuster counterclockwise 10 clicks back from full hard. This is the standard position.
3. Make sure that both fork legs are adjusted to the same position.



(1) Cap

(2) Damping adjuster

## Rear Suspension

### Compression Damping:

To reduce (SOFT) :

Turn the adjuster counterclockwise toward SOFT for a light load and smooth road condition.

To increase (HARD) :

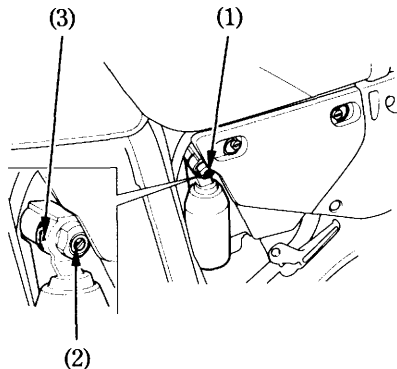
Turn the adjuster clockwise toward HARD for a firmer ride and rough road condition.

To adjust the adjuster to the standard position, proceed as follows :

1. Turn the damping adjuster (1) clockwise until it will no longer turn (lightly seats). This is the full hard setting.
2. Turn the adjuster counterclockwise 7 – 10 clicks until the punch mark (2) on the adjuster aligns with the reference mark (3). This is the standard position.

The rear shock absorber assembly includes a damper unit that contains high pressure nitrogen gas. Do not attempt to disassemble or service the damper; it cannot be rebuilt and must be replaced when worn out.

Disposal should only be done by your Honda dealer. The instructions found in this owner's manual are limited to adjustment of the shock assembly only.



- (1) Damping adjuster  
(2) Punch mark

(3) Reference mark

### Rebound Damping:

To reduce (SOFT) :

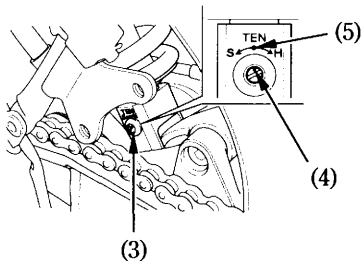
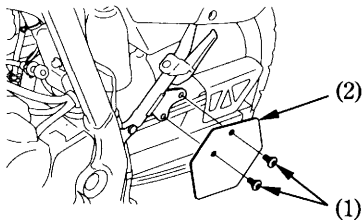
Turn the adjuster counterclockwise toward SOFT for a light load and smooth road condition.

To increase (HARD) :

Turn the adjuster clockwise toward HARD for a firmer ride and rough road condition.

To adjust the adjuster to the standard position, proceed as follows :

1. Remove the bolts (1) and chain cover (2).
2. Turn the damping adjuster (3) clockwise until it will no longer turn (lightly seats). This is the full hard setting.
3. Turn the adjuster counterclockwise 8 – 11 clicks until the punch mark (4) on the adjuster aligns with the reference mark (5). This is the standard position.



- |                      |                    |
|----------------------|--------------------|
| (1) Bolts            | (4) Punch mark     |
| (2) Chain cover      | (5) Reference mark |
| (3) Damping adjuster |                    |

## **BRAKES**

Both the front and rear brakes are the hydraulic disc types.

As the brake pads wear, the brake fluid level drops.

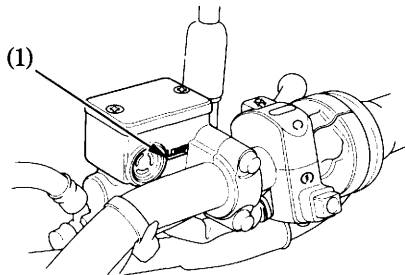
There are no adjustments to perform, but fluid level and pad wear must be inspected periodically. The system must be inspected frequently to ensure there are no fluid leaks. If the control lever or pedal free travel becomes excessive and the brake pads are not worn beyond the recommended limit (page 91 ), there is probably air in the brake system and it must be bled. See your Honda dealer for this service.

### Front Brake Fluid Level:

With the motorcycle in an upright position, check the fluid level. It should be above the LOWER level mark (1). If the level is at or below the LOWER level mark, check the brake pads for wear (page 91 ).

Worn pads should be replaced. If the pads are not worn, have your brake system inspected for leaks.

The recommended brake fluid is Honda DOT 4 brake fluid from a sealed container, or an equivalent.



(1) LOWER level mark

### Other Checks:

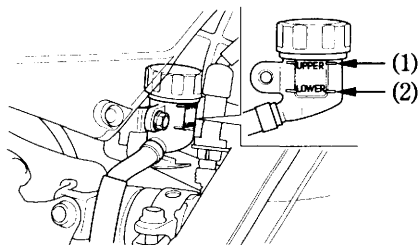
Make sure there are no fluid leaks. Check for deterioration or cracks in the hoses and fittings.

### Rear Brake Fluid Level:

With the motorcycle in an upright position, check the fluid level. It should be between the UPPER (1) and LOWER (2) level marks. If the level is at or below the LOWER level mark (2), check the brake pads for wear (page 91 ).

Worn pads should be replaced. If the pads are not worn, have your brake system inspected for leaks.

The recommended brake fluid is Honda DOT 4 brake fluid from a sealed container, or an equivalent.



- (1) UPPER level mark
- (2) LOWER level mark

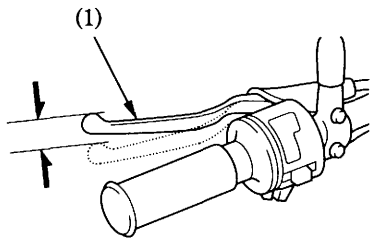
### Other Checks:

Make sure there are no fluid leaks. Check for deterioration or cracks in the hoses and fittings.

## CLUTCH

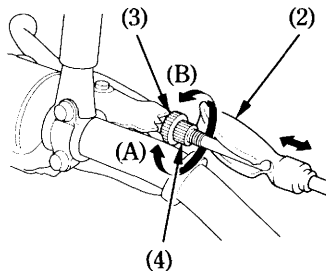
Clutch adjustment may be required if the motorcycle stalls when shifting into gear or tends to creep; or if the clutch slips, causing acceleration to lag behind engine speed. Minor adjustments can be made with the clutch cable adjuster (4) at the clutch lever (1).

Normal clutch lever freeplay is:  
10–20 mm (0.4–0.8 in)



(1) Clutch lever

1. Pull back the rubber dust cover (2).
2. Loosen the lock nut (3) and turn the clutch cable adjuster. Tighten the lock nut and check the adjustment.
3. If the adjuster is threaded out near its limit or if the correct freeplay cannot be obtained, loosen the lock nut and turn in the clutch cable adjuster completely. Tighten the lock nut and install the dust cover.



(2) Rubber dust cover

(3) Lock nut

(4) Clutch cable adjuster

(A) Increase freeplay

(B) Decrease freeplay

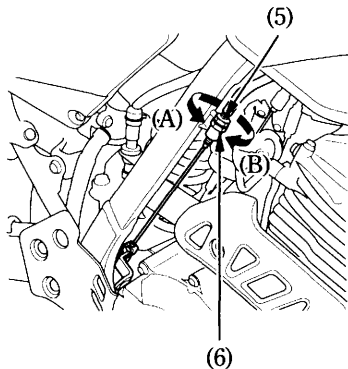


- Loosen the lock nut (5) at the lower end of the cable. Turn the adjusting nut (6) to obtain the specified freeplay. Tighten the lock nut and check the adjustment.
- Start the engine, pull in the clutch lever and shift into gear. Make sure the engine does not stall and the motorcycle does not creep. Gradually release the clutch lever and open the throttle. The motorcycle should begin to move smoothly and accelerate gradually.

If proper adjustment cannot be obtained or the clutch does not work correctly, see your Honda dealer.

#### Other Checks:

Check the clutch cable for kinks or signs of wear that could cause sticking or failure. Lubricate the clutch cable with a commercially available cable lubricant to prevent premature wear and corrosion.



(5) Lock nut  
(6) Adjusting nut

(A) Increase freeplay  
(B) Decrease freeplay

## FUEL

### Fuel Valve

The three way fuel valve (1) is on the left side near the carburetor.

### ON

With the fuel valve in the ON position, fuel will flow from the main fuel supply to the carburetor.

### OFF

With the fuel valve in the OFF position, fuel cannot flow from the tank to the carburetor. Turn the valve OFF whenever the motorcycle is not in use.

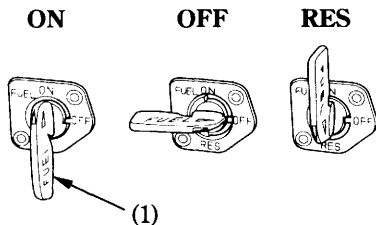
### RES

With the fuel valve in the RES position, fuel will flow from the reserve fuel supply to the carburetor. Use the reserve fuel only when the main supply is gone. Refill the tank as soon as possible after switching to RES.

The reserve fuel supply is:

2.9 l (0.77 US gal , 0.64 Imp gal)

Remember to check that the fuel valve is in the ON position each time you refuel. If the valve is left in the RES position, you may run out of fuel with no reserve.



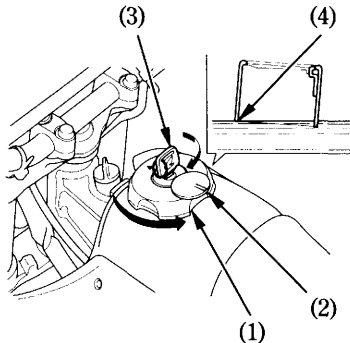
(1) Fuel valve

## Fuel Tank

The fuel tank capacity including the reserve supply is:

9.3 ℓ (2.46 US gal , 2.05 Imp gal)

To open the fuel fill cap (1), open the fuel fill cap cover (2), insert the ignition key (3) and turn it clockwise and then turn the fuel fill cap counterclockwise.



- (1) Fuel fill cap  
(2) Fuel fill cap cover

- (3) Ignition key  
(4) Filler neck

Do not overfill the tank. There should be no fuel in the filler neck (4).

After refueling, install the fuel fill cap by turning it clockwise. Turn the ignition key counterclockwise and remove it. Close the fuel fill cap cover.

## **⚠ WARNING**

Petrol is highly flammable and explosive. You can be burned or seriously injured when handling fuel.

- Stop the engine and keep heat, sparks, and flame away.
- Refuel only outdoors.
- Wipe up spills immediately.

Use unleaded petrol with a research octane number of 91 or higher.

**NOTICE**

If “spark knock” or “pinking” occurs at a steady engine speed under normal load, change brands of petrol. If spark knock or pinking persists, consult your Honda dealer. Failure to do so is considered misuse, and damage caused by misuse is not covered by Honda’s Limited Warranty.

### **Petrol Containing Alcohol**

If you decide to use a petrol containing alcohol (gasohol), be sure it's octane rating is at least as high as that recommended by Honda. There are two types of "gasohol": one containing ethanol, and the other containing methanol. Do not use petrol that contains more than 10 % ethanol. Do not use petrol containing methanol (methyl or wood alcohol) that does not also contain cosolvents and corrosion inhibitors for methanol. Never use petrol containing more than 5 % methanol, even if it has cosolvents and corrosion inhibitors.

Fuel system damage or engine performance problems resulting from the use of fuels that contain alcohol is not covered under the warranty. Honda cannot endorse the use of fuels containing methanol since evidence of their suitability is as yet incomplete.

Before buying fuel from an unfamiliar station, try to find out if the fuel contains alcohol. If it does, confirm the type and percentage of alcohol used. If you notice any undesirable operating symptoms while using a petrol that contains alcohol, or one that you think contains alcohol, switch to a petrol that you know does not contain alcohol.

## ENGINE OIL

### Engine Oil Level Check

Check the engine oil level each day before riding the motorcycle.

The oil filler cap is in front of fuel tank and has a dipstick for measuring the oil level. Oil level must be maintained between the UPPER (1) and LOWER (2) level marks on the oil filler cap/dipstick (3).

The oil level cannot be checked accurately immediately after the engine has been run at high speed.

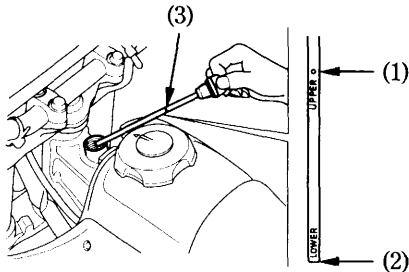
Make sure that motorcycle is standing upright on firm level ground while idling.

1. Park the motorcycle on a firm, level surface.
2. Start the engine and let it idle for 5 minutes. If the air temperature is below 10°C (50°F), let the engine idle for an additional 5 minutes (a total of 10 minutes).

An engine that is not warmed sufficiently may give an inaccurate (low) oil level reading. During idling, support the

motorcycle in an upright position to assure an accurate oil level reading. Stop the engine.

3. Immediately remove the oil filler cap/dipstick and wipe it clean.
4. Hold the motorcycle upright. Insert the oil filler cap/dipstick until it seats, but don't screw it in.



- (1) UPPER level mark      (3) Oil filler cap/dipstick  
(2) LOWER level mark

5. Remove the oil filler cap/dipstick. The oil level should be between the UPPER (1) and LOWER (2) level marks on the oil filler cap/dipstick.

If required, add the specified oil (see page 66) up to the UPPER level mark. Do not overfill.

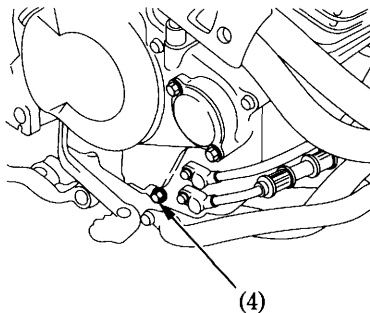
#### NOTICE

Running the engine with insufficient oil pressure may cause serious engine damage.

6. Reinstall the oil filler cap/dipstick. Check for oil leaks.

The engine contains a crankcase oil level check bolt (4). Remove the bolt and check that the level is flush with the lower edge of the hole.

If it is, start the engine and check the engine oil level. If the crankcase oil level is low, add the recommended engine oil before starting the engine to check the engine oil level.



(4) Crankcase oil level check bolt

## **TYRES**

To safely operate your motorcycle, the tyres must be the proper type (off-road) and size, in good condition with adequate tread, and correctly inflated.

### **⚠ WARNING**

Using tyres that are excessively worn or improperly inflated can cause a crash in which you can be seriously hurt or killed.

Follow all instructions in this owner's manual regarding tyre inflation and maintenance.

## **Air Pressure**

Properly inflated tyres provide the best combination of handling, tread life, and riding comfort. Generally, underinflated tyres wear unevenly, adversely affect handling, and are more likely to fail from being overheated. Underinflated tyres can also cause wheel damage in rocky terrain. Overinflated tyres make your motorcycle ride harshly, are more prone to damage from surface hazards, and wear unevenly.

Make sure the valve stem caps are secure. If necessary, install a new cap.



Always check air pressure when your tyres are “cold” – when the motorcycle has been parked for at least three hours. If you check air pressure when your tyres are “warm” – when the motorcycle has been ridden for even a few miles – the readings will be higher than if the tyres were “cold”. This is normal, so do not let air out of the tyres to match the recommended cold air pressures given below. If you do, the tyres will be underinflated.

The recommended “cold” tyre pressures are:

Front	150 kPa (1.50 kgf/cm <sup>2</sup> , 22 psi)
Rear	150 kPa (1.50 kgf/cm <sup>2</sup> , 22 psi)

### Inspection

Whenever you check the tyre pressures, you should also examine the tyre treads and sidewalls for wear, damage, and foreign objects:

Look for:

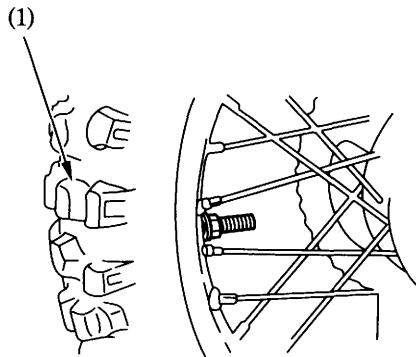
- Bumps or bulges in the side of the tyre or the tread. Replace the tyre if you find any bumps or bulges.
- Cuts, splits or cracks in the tyre. Replace the tyre if you can see fabric or cord.
- Excessive tread wear.

Also, if you hit a pothole or hard object, pull to the side of the road as soon as you safely can and carefully inspect the tyres for damage.

## Tread Wear

Replace tyres before tread depth at the center of the tyre reaches the following limit:

Minimum tread depth	
Front:	3.0 mm (0.12 in)
Rear:	3.0 mm (0.12 in)



(1) Tyre tread depth

## **Tube Repair and Replacement**

If a tube is punctured or damaged, you should replace it as soon as possible. A tube that is repaired may not have the same reliability as a new one, and it may fail while you are riding.

If you need to make a temporary repair by patching a tube or using an aerosol sealant, ride cautiously at reduced speed and have the tube replaced before you ride again. Any time a tube is replaced, the tyre should be carefully inspected as described on page 29 .

## Tyre Replacement

The tyres that came on your motorcycle were designed to match the performance capabilities of your motorcycle and provide the best combination of handling, braking, durability and comfort.

### **WARNING**

Installing improper tyres on your motorcycle can affect handling and stability. This can cause a crash in which you can be seriously hurt or killed.

Always use the size and type of tyres recommended in this owner's manual.

The recommended tyres for your motorcycle are:

Front: 3.00—21 51P

DUNLOP  
D605FG

Rear: 4.60—18 63P

DUNLOP  
D605G

Type: bias-ply, tube

Whenever you replace a tyre, use one that is equivalent to the original and be sure the wheel is balanced after the new tyre is installed.

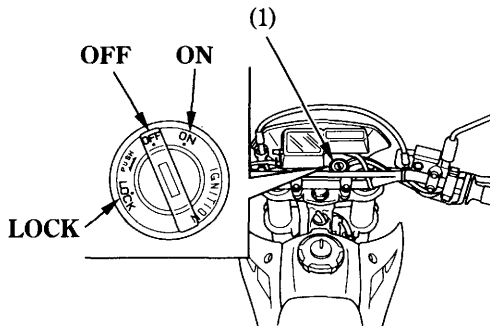
Also remember to replace the inner tube whenever you replace a tyre. The old tube will probably be stretched, and if installed in a new tyre, it could fail.

## ESSENTIAL INDIVIDUAL COMPONENTS

### IGNITION SWITCH

The ignition switch (1) is below the indicator panel.

The headlight and taillight will come on whenever you turn the ignition switch ON. If your motorcycle is stopped with the ignition switch ON and the engine is not running, the headlight and taillight will still be on, resulting in battery discharge.

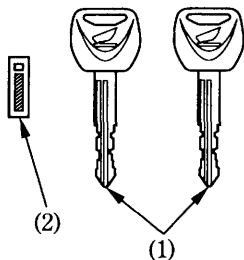


(1) Ignition switch

Key Position	Function	Key Removal
LOCK (steering lock)	Steering is locked. Engine and lights cannot be operated.	Key can be removed
OFF	Engine and lights cannot be operated.	Key can be removed
ON	Engine and lights can be operated.	Key cannot be removed

## KEYS

This motorcycle has two keys and a key number plate.






- (1) Ignition keys
- (2) Key number plate


You will need the key number if you ever have to replace a key. Store the plate in a safe place.

To reproduce keys, bring all keys, key number plate and motorcycle to your Honda dealer.

## RIGHT HANDLEBAR CONTROLS

### Engine Stop Switch

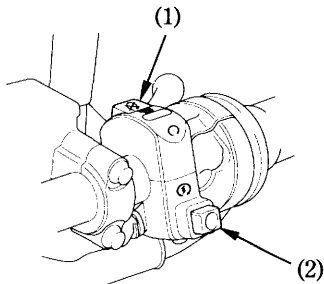
The engine stop switch (1) is next to the throttle grip. When the switch is in the  (RUN) position, the engine will operate. When the switch is in the  (OFF) position, the engine will not operate. This switch is intended primarily as a safety or emergency switch and should normally remain in the  (RUN) position.

If your motorcycle is stopped with the ignition switch ON and the engine stop switch  (OFF), the headlight and taillight will still be on, resulting in battery discharge.

### Start Button

The start button (2) is below the engine stop switch.



The start button is used for starting the engine. Pushing the button in starts the engine. See Starting Procedure, page 45 . When the start button is pushed, the starter motor will crank the engine, the headlight will automatically go out, but the taillight will stay on.




- (1) Engine stop switch
- (2) Start button

## LEFT HANDLEBAR CONTROLS

### Headlight Dimmer Switch (1)

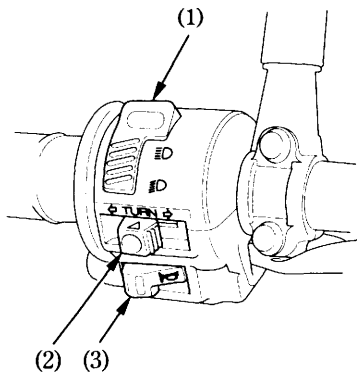
Push the dimmer switch to  (HI) to select high beam or to  (LO) to select low beam.

### Turn Signal Switch (2)

Move to  to signal a left turn,  to signal a right turn. Press to turn signal off.

### Horn Button (3)

Press the button to sound the horn.



- (1) Headlight dimmer switch
- (2) Turn signal switch
- (3) Horn button



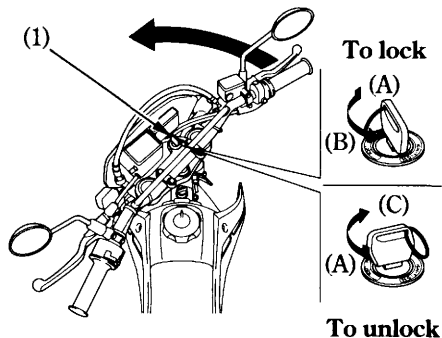
## FEATURES

### (Not required for operation)

#### STEERING LOCK

To lock the steering, turn the handlebar all the way to the left, turn the ignition key (1) to LOCK while pushing in. Remove the key. To unlock the steering, turn the key to OFF while pushing in.

Do not turn the key to LOCK while riding the motorcycle; loss of vehicle control will result.



(1) Ignition key

(A) Push in  
(B) Turn to LOCK  
(C) Turn to OFF

## HELMET HOLDER

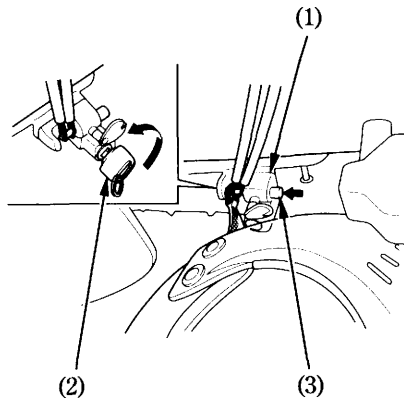
The helmet holder (1) is on the left side below the rear fender.

Insert the ignition key (2) and turn it counterclockwise to unlock. Hang your helmet on the holder pin (3). Turn the key clockwise to lock the holder and then remove the key.

### **⚠ WARNING**

Riding with a helmet attached to the holder can interfere with the rear wheel or suspension and could cause a crash in which you can be seriously hurt or killed.

Use the helmet holder only while parked. Do not ride with a helmet secured by the holder.



(1) Helmet holder

(2) Ignition key

(3) Holder pin

## LEFT SIDE COVER

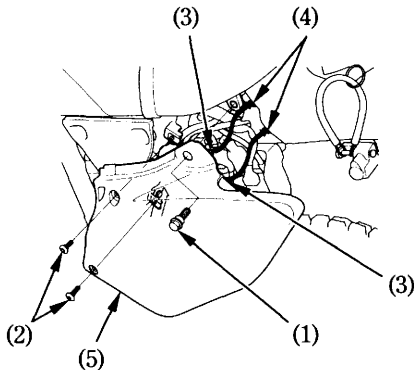
The left side cover must be removed for battery, fuse maintenance and to check the colour label.

### Removal:

1. Remove the bolt A (1) and bolts B (2).
2. Release the tabs (3) from the recesses (4).
3. Remove the left side cover (5).

### Installation:

1. Align the tabs with recesses.
2. Install the securing bolts and tighten them.



- (1) Bolt A  
(2) Bolts B

- (3) Tabs  
(4) Recesses  
(5) Left side cover

## DOCUMENT BAG

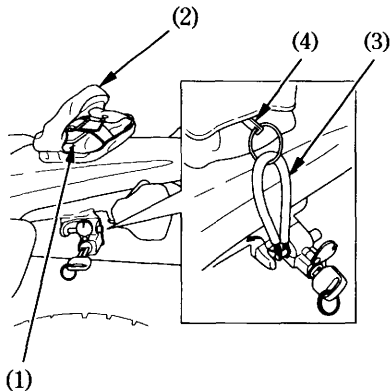
The document bag (1) is in the tool bag storage (2) at the rear of the seat.

Unlock the helmet holder (page 38) and release the tool bag lock wire (3).

Open the fastener (4).

This owner's manual and other documents should be stored in the document bag.

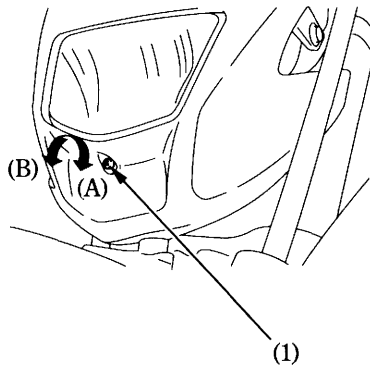
When washing your motorcycle, be careful not to flood this area with water.



- (1) Document bag
- (2) Tool bag storage
- (3) Tool bag lock wire
- (4) Fastener

## HEADLIGHT AIM VERTICAL ADJUSTMENT

Vertical adjustment can be made by turning the screw (1) in or out as necessary. Obey local laws and regulations.



(1) Screw

(A) Up

(B) Down

## OPERATION

### PRE-RIDE INSPECTION

For your safety, it is very important to take a few moments before each ride to walk around your motorcycle and check its condition. If you detect any problem, be sure you take care of it, or have it corrected by your Honda dealer.

### **WARNING**

Improperly maintaining this motorcycle or failing to correct a problem before riding can cause a crash in which you can be seriously hurt or killed.

Always perform a pre-ride inspection before every ride and correct any problems.

1. Engine oil level—add engine oil if required (page 26 ). Check for leaks.
2. Fuel level—fill fuel tank when necessary (page 23 ). Check for leaks.
3. Front and rear brakes—check operation; make sure there is no brake fluid leakage (pages 18 – 19 ).
4. Tyres—check condition and pressure (pages 28 – 32 ).
5. Drive chain—check condition and slack (page 78 ). Adjust and lubricate if necessary.
6. Chain slider—check slider wear (page 84 ).
7. Throttle—check for smooth opening and full closing in all steering positions.

8. Clutch—check operation, and adjust if necessary (pages 20 – 21 ).
9. Lights and horn—check that headlight, brake/tail light, turn signals, indicators and horn function properly.
10. Spark plug and high tension terminal – check for looseness.
11. Engine stop switch—check for proper function (page 35 ).
12. Side stand ignition cut-off system—check for proper function (page 86 ).
13. Nuts, bolts, fasteners – check the front wheel to see that the axle nut and axle holder nuts are tightened securely. Check security of all other nuts, bolts, and fasteners.

## **STARTING THE ENGINE**

Always follow the proper starting procedure described below.

This motorcycle is equipped with a side stand ignition cut-off system. The engine cannot be started if the side stand is down, unless the transmission is in neutral. If the side stand is up, the engine can be started in neutral or in gear with the clutch lever pulled in. After starting with the side stand down, the engine will shut off if the transmission is put in gear before raising the side stand.

Your motorcycle's exhaust contains poisonous carbon monoxide gas. High levels of carbon monoxide can collect rapidly in enclosed areas such as a garage. Do not run the engine with the garage door closed. Even with the door open, run the engine only long enough to move your motorcycle out of the garage.

Do not use the electric starter for more than 5 seconds at a time. Release the start button for approximately 10 seconds before pressing it again.



## Preparation

Before starting, insert the key, turn the ignition switch ON and confirm the following:

- The transmission is in neutral (neutral indicator light ON).
- The engine stop switch is at  $\odot$  (RUN).
- The fuel valve is ON.

### NOTICE

Operating the engine with insufficient oil pressure can cause serious engine damage.

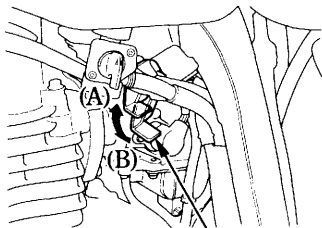
## Starting Procedure

To restart a warm engine, follow the procedure for “High Air Temperature.”

### Normal Air Temperature

$10^{\circ} - 35^{\circ}\text{C}$  ( $50^{\circ} - 95^{\circ}\text{F}$ )

1. Move the choke lever (1) up all the way to Fully ON (A), if the engine is cold.
2. With the throttle closed, press the start button.



(1)

(1) Choke lever

(A) Fully ON

(B) Fully OFF

3. Immediately after the engine starts, operate the choke lever to keep fast idle.
4. About a quarter minute after the engine starts, move the choke lever down all the way to Fully OFF (B).
5. If idling is unstable, open the throttle slightly.

#### High Air Temperature

35°C (95°F) or above

1. Do not use the choke.
2. With the throttle 1/8–1/4 open, press the start button.

#### Low Air Temperature

10°C (50°F) or below

1. Follow steps 1 – 2 under “Normal Air Temperature.”
2. When engine speed begins to pick up, operate the choke lever to keep fast idle.
3. Continue warming up the engine until it runs smoothly and responds to the throttle, when the choke lever is at Fully OFF (B).


**NOTICE**

Extended use of the choke may impair piston and cylinder wall lubrication and damage the engine.

*Snapping the throttle or fast idling for more than about 5 minutes at normal air temperature may cause exhaust pipe discoloration.*

### **Flooded Engine**

If the engine fails to start after repeated attempts, it may be flooded with excess fuel. To clear a flooded engine.

1. Leave the engine stop switch set to  (RUN).
2. Push the choke lever in all the way to fully OFF.
3. Open the throttle fully.
4. Press the start button for 5 seconds.
5. If the engine starts, quickly close the throttle, then open it slightly if idling is unstable.

If the engine does not start, wait 10 seconds, then follow the High Air Temperature procedure (page 46 ).

### **RUNNING-IN**

Help assure your motorcycle's future reliability and performance by paying extra attention to how you ride during the first 500 km (300 miles).

During this period, avoid full-throttle starts and rapid acceleration.

## RIDING

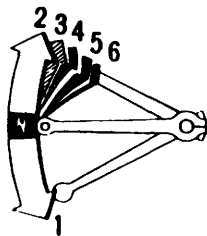
Review Motorcycle Safety (pages 1 – 9 ) before you ride.

Make sure you understand the function of the side stand mechanism. (See MAINTENANCE SCHEDULE on page 59 and explanation for SIDE STAND on page 86 ).

1. After the engine has been warmed up, the motorcycle is ready for riding.
2. While the engine is idling, pull in the clutch lever and depress the shift lever to shift into 1st (low) gear.

3. Slowly release the clutch lever and at the same time gradually increase engine speed by opening the throttle. Coordination of the throttle and clutch lever will assure a smooth positive start.
4. When the motorcycle attains a moderate speed, close the throttle, pull in the clutch lever and shift to 2nd gear by raising the shift lever.

This sequence is repeated to progressively shift to 3rd, 4th, 5th and 6th (top) gear.



5. Raise the shift lever to shift to a higher gear and depress the shift lever to shift to a lower gear. Each stroke of the shift lever engages the next gear in sequence. The shift lever automatically returns to the horizontal position when released.

- Do not downshift when traveling at a speed that would force the engine to overrev in the next lower gear; the rear wheel may lose traction, resulting in a possible loss of vehicle control.
- Do not shift gears without disengaging the clutch and closing the throttle. The engine and drive train could be damaged by overspeed and shock.
- Do not tow the motorcycle or coast for long distances while the engine is off. The transmission will not be properly lubricated and damage may result.
- Do not run the engine at high rpm with the transmission in neutral or the clutch lever pulled in. Serious engine damage may result.

## **BRAKING**

For normal braking, gradually apply both the front and rear brakes while downshifting to suit your road speed.

For maximum deceleration, close the throttle and apply the front and rear brakes firmly. Pull in the clutch lever before coming to a complete stop to prevent stalling the engine.

### **Important Safety Reminders:**

- Independent operation of only the brake lever or brake pedal reduces stopping performance.
- Extreme application of the brake controls may cause wheel lock, reducing control of the motorcycle.
- When possible, reduce speed or brake before entering a turn; closing the throttle or braking in mid-turn may cause wheel slip. Wheel slip will reduce control of the motorcycle.
- When riding in wet or rainy conditions, or on loose surfaces, the ability to maneuver and stop will be reduced. All of your actions should be smooth under these conditions. Rapid acceleration, braking or turning may cause loss of control. For your safety, exercise extreme caution when braking, accelerating or turning.
- When descending a long, steep grade, use engine compression braking by downshifting, with intermittent use of both brakes.  
Continuous brake application can overheat the brakes and reduce their effectiveness.
- Riding with your foot resting on the brake pedal or your hand on the brake lever may actuate the brakelight, giving a false indication to other drivers. It may also overheat the brakes, reducing effectiveness.

## **PARKING**

1. After stopping the motorcycle, shift the transmission into neutral, turn the fuel valve *OFF*, turn the handlebar fully to the left, turn the ignition switch *OFF* and remove the key.
2. Use the side stand to support the motorcycle while parked.

Park the motorcycle on firm, level ground to prevent it from falling over.

If you must park on a slight incline, aim the front of the motorcycle uphill to reduce the possibility of rolling off the side stand or overturning.

3. Lock the steering to help prevent theft (page 37 ).



## **ANTI-THEFT TIPS**

1. Always lock the steering and never leave the key in the ignition switch. This sounds simple but people do forget.
2. Be sure the registration information for your motorcycle is accurate and current.
3. Park your motorcycle in a locked garage whenever possible.
4. Use an additional anti-theft device of good quality.
5. Put your name, address, and phone number in this Owner's Manual and keep it on your motorcycles at all times.  
Many times stolen motorcycles are identified by information in the Owner's Manuals that are still with them.

NAME: \_\_\_\_\_

ADDRESS: \_\_\_\_\_

\_\_\_\_\_

\_\_\_\_\_

PHONE NO: \_\_\_\_\_

## MAINTENANCE

### THE IMPORTANCE OF MAINTENANCE

A well-maintained motorcycle is essential for safe, economical and trouble-free riding. It will also help reduce air pollution.

Because this motorcycle is capable of being ridden over rough off-road terrain as well as on pavement, careful pre-ride inspections and good maintenance are especially important.

To help you properly care for your motorcycle, the following pages include a Maintenance Schedule and a Maintenance Record for regularly scheduled maintenance.

These instructions are based on the assumption that the motorcycle will be used exclusively for its designed purpose. Sustained high speed operation or operation in unusually wet or dusty conditions will require more frequent service than specified in the Maintenance Schedule. Consult your Honda dealer for

recommendations applicable to your individual needs and use.

If your motorcycle overturns or becomes involved in a crash, be sure your Honda dealer inspects all major parts, even if you are able to make some repairs.

### **WARNING**

Improperly maintaining this motorcycle or failing to correct a problem before you ride can cause a crash in which you can be seriously hurt or killed.

Always follow the inspection and maintenance recommendations and schedules in this owner's manual.

## **MAINTENANCE SAFETY**

This section includes instructions on some important maintenance tasks. You can perform some of these tasks with the tools provided — if you have basic mechanical skills.

Other tasks that are more difficult and require special tools are best performed by professionals. Wheel removal should normally be handled only by a Honda technician or other qualified mechanic; instructions are included in this manual only to assist in emergency service.

Some of the most important safety precautions follow. However, we cannot warn you of every conceivable hazard that can arise in performing maintenance. Only you can decide whether or not you should perform a given task.

## **⚠ WARNING**

Failure to properly follow maintenance instructions and precautions can cause you to be seriously hurt or killed.

Always follow the procedures and precautions in this owner's manual.

## **SAFETY PRECAUTIONS**

- Make sure the engine is off before you begin any maintenance or repairs. This will help eliminate several potential hazards:
  - **Carbon monoxide poisoning from engine exhaust.**  
Be sure there is adequate ventilation whenever you operate the engine.
  - **Burns from hot parts.**  
Let the engine and exhaust system cool before touching.
  - **Injury from moving parts.**  
Do not run the engine unless instructed to do so.
- Read the instructions before you begin, and make sure you have the tools and skills required.
- To help prevent the motorcycle from falling over, park it on a firm, level surface, using the side stand or a maintenance stand to provide support.

- To reduce the possibility of a fire or explosion, be careful when working around petrol. Use only nonflammable solvent, not petrol, to clean parts. Keep cigarettes, sparks and flames away from all fuel-related parts.

Remember that your Honda dealer knows your motorcycle best and is fully equipped to maintain and repair it.

To ensure the best quality and reliability, use only new genuine Honda parts or their equivalents for repair and replacement.

## **MAINTENANCE SCHEDULE**

Perform the Pre-ride Inspection (page 42 ) at each scheduled maintenance period.

I: INSPECT AND CLEAN, ADJUST, LUBRICATE OR REPLACE IF NECESSARY

C: CLEAN R: REPLACE A: ADJUST L: LUBRICATE

The following items require some mechanical knowledge. Certain items (particularly those marked \* and \*\* ) may require more technical information and tools. Consult your Honda dealer.

- \* Should be serviced by your Honda dealer, unless the owner has proper tools and service data and is mechanically qualified. Refer to the Official Honda Shop Manual.
- \*\* In the interest of safety, we recommend these items be serviced only by your Honda dealer.

Honda recommends that your Honda dealer should road test your motorcycle after each periodic maintenance is carried out.

- NOTES:
- (1) At higher odometer readings, repeat at the frequency interval established here.
  - (2) Service more frequently when riding in unusually wet or dusty areas.
  - (3) Service more frequently when riding in rain or at full throttle.
  - (4) Service more frequently when riding OFF-ROAD.
  - (5) Replace every 2 years, or at indicated odometer interval, whichever comes first. Replacement requires mechanical skill.

ITEM	FREQUENCY	WHICHEVER → COMES FIRST ↓ NOTE	ODOMETER READING [NOTE (1)]								Refer to Page
			× 1,000 km	1	6	12	18	24	30	36	
			× 1,000 mi	0.6	4	8	12	16	20	24	
		MONTH	6	12	18	24	30	36			
* FUEL LINE					I		I		I	—	
* FUEL STRAINER SCREEN				C	C	C	C	C	C	—	
* THROTTLE OPERATION					I		I		I	76	
AIR CLEANER	NOTE (2)					R			R	63	
* SUB AIR CLEANER						R			R	—	
* CRANKCASE BREATHER	NOTE (3)			C	C	C	C	C	C	65	
SPARK PLUG				I	R	I	R	I	R	74	
* VALVE CLEARANCE			I	I	I	I	I	I	I	—	
ENGINE OIL	NOTE (4)		R	R	R	R	R	R	R	66	
ENGINE OIL FILTER			R		R		R		R	72	
* ENGINE OIL STRAINER SCREEN IN DOWN TUBE					C		C		C	—	
* ENGINE IDLE SPEED			I	I	I	I	I	I	I	77	
* SECONDARY AIR SUPPLY SYSTEM					I		I		I	—	

ITEM	FREQUENCY	WHICHEVER → COMES FIRST ↓ NOTE	ODOMETER READING [ NOTE (1) ]								Refer to Page
			× 1,000 km	1	6	12	18	24	30	36	
			× 1,000 mi	0.6	4	8	12	16	20	24	
		MONTH		6	12	18	24	30	36		
DRIVE CHAIN		NOTE (4)	EVERY 1,000 km (600 mi) I, L								78
DRIVE CHAIN SLIDER				I	I	I	I	I	I	84	
BRAKE FLUID		NOTE (5)		I	I	R	I	I	R	18, 19	
BRAKE PADS WEAR				I	I	I	I	I	I	91	
BRAKE SYSTEM			I		I		I		I	18–19, 91	
* BRAKELIGHT SWITCH					I		I		I	97	
* HEADLIGHT AIM					I		I		I	41	
CLUTCH SYSTEM			I	I	I	I	I	I	I	20	
SIDE STAND					I		I		I	86	
* SUSPENSION					I		I		I	85	
* NUTS, BOLTS, FASTENERS		NOTE (4)	I		I		I		I	—	
** WHEELS/TYRES		NOTE (4)	I	I	I	I	I	I	I	—	
** STEERING HEAD BEARINGS			I		I		I		I	—	

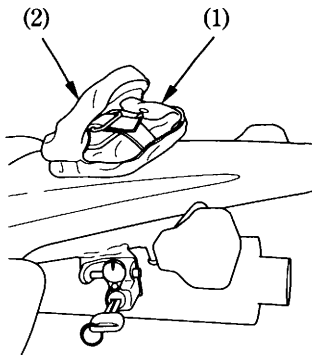
## TOOL KIT

The tool kit (1) is stored in the tool bag storage (2) at the rear of the seat.

Open the tool bag storage (page 40 ).

Some roadside repairs, minor adjustments and parts replacement can be performed with the tools contained in the kit.

- Spark plug wrench
- 17 mm Box end wrench
- 8 mm Open end wrench
- 10 × 12 mm Box end wrench
- 10 × 12 mm Open end wrench
- 10 × 14 mm Open end wrench
- Pliers
- No. 2 Phillips screwdriver
- No. 3 Phillips screwdriver
- No. 2 screwdriver
- Extension bar
- 24 mm Box end wrench
- 5 mm Hex wrench
- 19 mm Box end wrench
- Tool bag



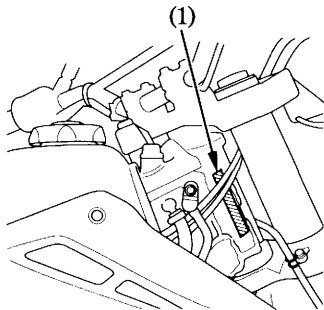
- (1) Tool kit
- (2) Tool bag storage



## SERIAL NUMBERS

The frame and engine serial numbers are required when registering your motorcycle. They may also be required by your dealer when ordering replacement parts. Record the numbers here for your reference.

FRAME NO. \_\_\_\_\_

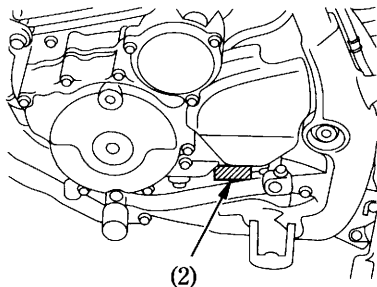


(1) Frame number

The frame number (1) is stamped on the right side of the steering head.

The engine number (2) is stamped on the left side of the crankcase.

ENGINE NO. \_\_\_\_\_



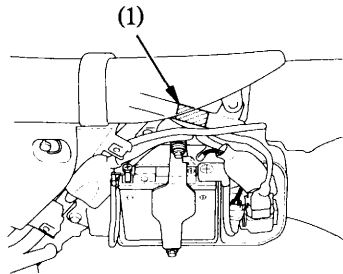
(2) Engine number

## COLOUR LABEL

The colour label (1) is attached to the frame behind the left side cover (page 39 ). It is helpful when ordering replacement parts. Record the colour and code here for your reference.

COLOUR \_\_\_\_\_

CODE \_\_\_\_\_



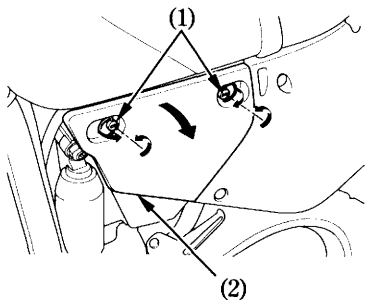
(1) Colour label

## AIR CLEANER

Refer to the Safety Precautions on page 56 .

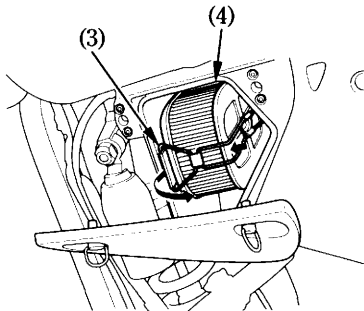
The air cleaner should be serviced at regular intervals (page 58 ). Service more frequently when riding in unusually wet or dusty areas.

1. Lift the D-ring on each quick-release fastener (1) and turn it counterclockwise until it releases. Open the air cleaner housing cover (2).



- (1) Quick-release fasteners  
(2) Air cleaner housing cover

2. Unhook the set spring (3).
3. Remove and discard the air cleaner element (4).



- (3) Set spring                      (4) Air cleaner element

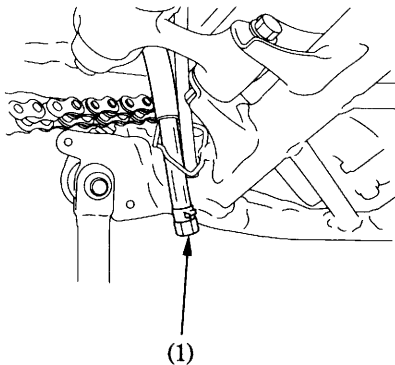
4. Install the new air cleaner element.  
Use the Honda genuine air cleaner or an equivalent air cleaner specified for your model. Using the wrong Honda air cleaner or a non-Honda air cleaner which is not of equivalent quality may cause premature engine wear or performance problems.
5. Install the removed parts in the reverse order of removal.

## **CRANKCASE BREATHER**

Refer to the Safety Precautions on page 56 .

1. Remove the crankcase breather tube plug (1).
2. Drain deposits into a suitable container.
3. Reinstall the crankcase breather tube plug.

Service more frequently if your motorcycle is ridden in the rain or often at full throttle. Service the breather if you can see deposits in the transparent section of the drain tube.



(1) Crankcase breather tube plug

## ENGINE OIL

Refer to the Safety Precautions on page 56 .

### Oil Recommendation

API classification	SG or higher except oils labeled as energy conserving on the circular API service label
Viscosity	SAE 10W-30
JASO T 903 standard	MA

Suggested Oil
Honda "4-STROKE MOTORCYCLE OIL" or equivalent.

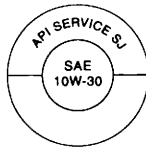
Your motorcycle does not need oil additives. Use the recommended oil.

Do not use oils with graphite or molybdenum additives. They may adversely affect clutch operation.

Do not use API SH or higher oils displaying a circular API "energy conserving" service label on the container. They may affect lubrication and clutch performance.



**NOT RECOMMENDED**

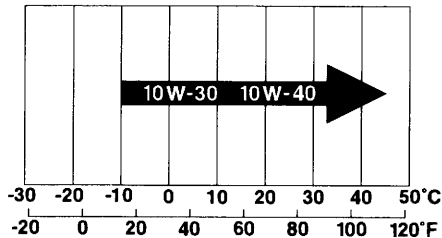


**OK**

Do not use non-detergent, vegetable, or castor based racing oils.

**Viscosity:**

Viscosity grade of engine oil should be based on average atmospheric temperature in your riding area. The following provides a guide to the selection of the proper grade or viscosity of oil to be used at various atmospheric temperatures.

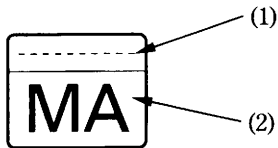


### JASO T 903 standard

The JASO T 903 standard is an index for engine oils for 4-stroke motorcycle engines.

There are two classes: MA and MB.

Oil conforming to the standard is labeled on the oil container. For example, the following label shows the MA classification.



PRODUCT MEETING JASO T 903  
COMPANY GUARANTEEING THIS MA PERFORMANCE:

- (1) Code number of the sales company of the oil
- (2) Oil classification



## **Engine Oil Change**

Engine oil quality is the chief factor affecting engine service life. Change the engine oil as specified in the maintenance schedule (page 58 ).

When running in very dusty conditions, oil changes should be performed more frequently than specified in the maintenance schedule.

Please dispose of used engine oil in a manner that is compatible with the environment. We suggest you take it in a sealed container to your local recycling center or service station for reclamation. Do not throw it in the trash or pour it on the ground or down a drain.

Used engine oil may cause skin cancer if repeatedly left in contact with the skin for prolonged periods. Although this is unlikely unless you handle used oil on a daily basis, it is still advisable to thoroughly wash your hands with soap and water as soon as possible after handling used oil.

Changing the oil requires a torque wrench. If you do not have it and the necessary skill, we recommend that you have your Honda dealer perform this service.

If a torque wrench is not used for this installation, see your Honda dealer as soon as possible to verify proper assembly.

Change the engine oil with the engine at normal operating temperature and the motorcycle on its side stand to assure complete and rapid draining.

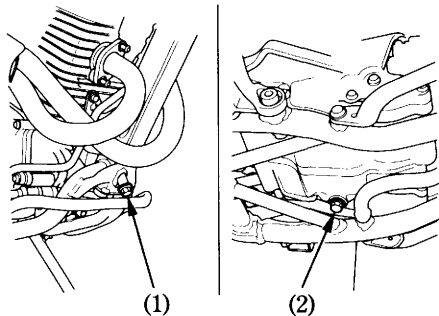
1. Start the engine and let it idle for 5 minutes.
2. Stop the engine, place an oil drain pan under the crankcase. Remove the oil filler cap/dipstick, the drain bolt (1) on the down tube and drain bolt (2) on the left crankcase.
3. After the oil has drained, make sure the sealing washers on the drain bolts are in good condition.
4. Install the drain bolt to the specified torque.

Crankcase drain bolt torque:

24 N·m (2.4 kgf·m , 18 lbf·ft)

Frame drain bolt torque:

39 N·m (4.0 kgf·m , 29 lbf·ft)



(1) Drain bolt (down tube)

(2) Drain bolt (left crankcase)

To fill the oil tank to the upper level, oil should be added in two steps.

5. With the motorcycle upright on firm level ground.
6. Fill the oil tank with the specified oil (page 66 ) up to the UPPER level mark and install the oil filler cap/dipstick.

7. Start the engine and let it idle for 5 minutes. During idling, support the motorcycle in an upright position on a firm, level surface to assure an accurate oil level reading. Stop the engine.
8. Immediately remove the oil filler cap/dipstick and add the specified oil up to the UPPER level mark.

**NOTICE**

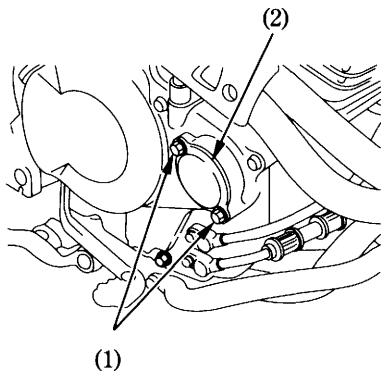
Running the engine with insufficient oil can cause serious engine damage.

9. Reinstall the oil filler cap/dipstick. Check for oil leaks.

## Engine Oil Filter

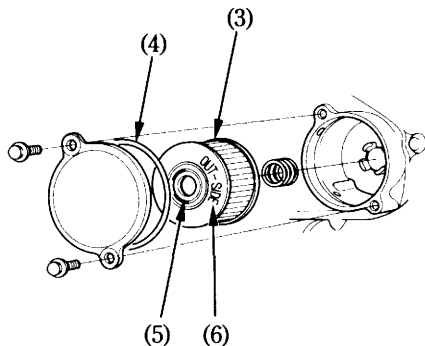
Change the oil filter after draining the engine oil.

1. Remove the oil filter bolts (1) and oil filter cover (2).
2. Remove the oil filter (3) from the cover.



(1) Oil filter bolts      (2) Oil filter cover

3. Check that the oil filter cover O-ring (4) is in good condition and then install the new oil filter. Use the Honda oil filter or an equivalent filter specified for your model. Other filters not specified for your model may not filter impurities properly.



(3) Oil filter      (5) Rubber seal  
(4) O-ring      (6) "OUT-SIDE" mark

4. Install the filter with the rubber seal (5) facing out, away from the engine. You will see “OUT-SIDE” mark (6) on the filter body, near the seal.

**NOTICE**

Improper installation of the oil filter can cause serious engine damage.

5. Reinstall the oil filter cover, making sure the bolts are tightened securely.

Oil filter bolt torque:

12 N·m (1.2 kgf·m , 9 lbf·ft)

6. Perform steps 5 – 9 of Engine Oil Change.

Engine oil after draining and oil filter change:

1.4 ℓ (1.5 US qt , 1.2 Imp qt)

## SPARK PLUG

Refer to the Safety Precautions on page 56 .

Recommended plugs:

Standard:

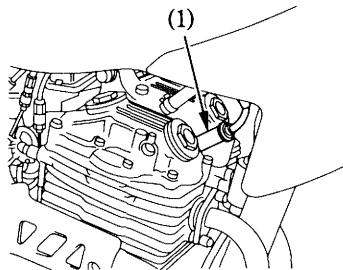
CR8EH-9 (NGK) or  
U24FER9 (DENSO)

For cold climate: (Below 5°C, 41°F)

CR7EH-9 (NGK) or  
U22FER9 (DENSO)

For extended high speed riding:

CR9EH-9 (NGK) or  
U27FER9 (DENSO)



(1) Spark plug cap

For most riding conditions this spark plug heat range number is satisfactory. However, if the motorcycle is going to be operated for extended periods at high speeds or near maximum power in hot climates, the spark plug should be changed to a colder heat range (a higher number).

### NOTICE

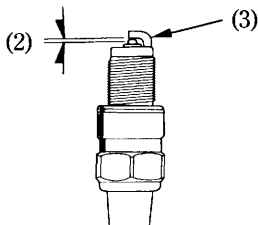
Never use a spark plug with an improper heat range. Severe engine damage could result.

1. Clean any dirt from around the spark plug base.  
Disconnect the spark plug cap (1) from the spark plug.
2. Remove the spark plug using a spark plug wrench furnished in the tool kit.

3. Inspect the electrodes and center porcelain for deposits, erosion or carbon fouling. If the erosion or deposit is heavy, replace the plug. Clean a carbon or wet-fouled plug with a plug cleaner, otherwise use a wire brush.
4. Check the spark plug gap ( 2 ) using a wire-type feeler gauge. If adjustment is necessary, bend the side electrode ( 3 ) carefully.

The gap should be:

0.8–0.9 mm (0.03–0.04 in)



(2) Spark plug gap

(3) Side electrode

5. Make sure the plug washer is in good condition.
6. With the plug washer attached, thread the spark plug in by hand to prevent cross-threading.
7. Tighten the spark plug:
  - If the old plug is good:
    - 1/8 turn after it seats.
  - If installing a new plug, tighten it twice to prevent loosening:
    - a) First, tighten the plug:
      - NGK: 1/2 turn after it seats.
      - DENSO: 1 turn after it seats.
    - b) Then loosen the plug.
    - c) Next, tighten the plug again:
      - 1/8 turn after it seats.

#### NOTICE

An improperly tightened spark plug can damage the engine. If a plug is too loose, a piston may be damaged. If a plug is too tight, the threads may be damaged.

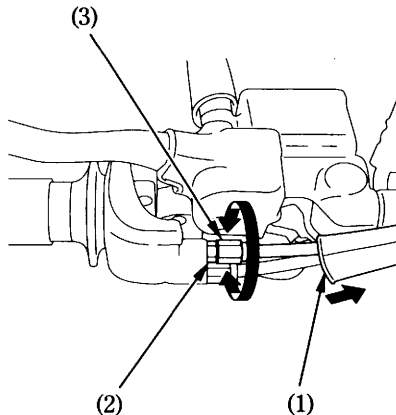
8. Reinstall the spark plug cap. Take care to avoid pinching any cables or wires.

## THROTTLE OPERATION

Refer to the Safety Precautions on page 56 .

1. Check for smooth rotation of the throttle grip from the fully open to the fully closed position at both full steering positions.
2. Measure the throttle grip freeplay at the throttle grip flange.  
The standard freeplay should be approximately:  
8.0 – 10.0 mm (0.31 – 0.39 in)

To adjust the freeplay, slide the throttle cable boot (1), then loosen the lock nut (2) and turn the adjuster (3).



(1) Throttle cable boot  
(2) Lock nut

(3) Adjuster



## **IDLE SPEED**

Refer to the Safety Precautions on page 56 .

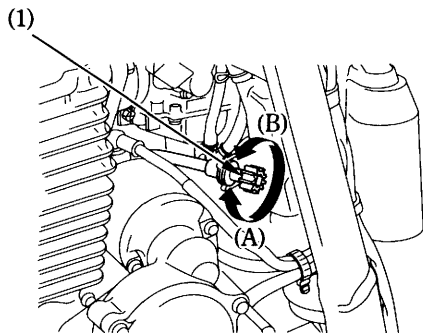
The engine must be at normal operating temperature for accurate idle speed adjustment. 10 minutes of stop-and-go riding is sufficient.

Do not attempt to compensate for faults in other systems by adjusting idle speed. See your Honda dealer for regularly scheduled carburetor adjustments.

1. Warm up the engine and hold the motorcycle upright. Shift to neutral.
2. Connect a tachometer to the engine.
3. Adjust idle speed with the throttle stop screw (1).

Idle speed (In neutral):

$1,300 \pm 100 \text{ min}^{-1} (\text{rpm})$



- (1) Throttle stop screw      (A) Increase rpm  
(B) Decrease rpm

## DRIVE CHAIN

Refer to the Safety Precautions on page 56 .

The service life of the drive chain (1) is dependent upon proper lubrication and adjustment. Poor maintenance can cause premature wear or damage to the drive chain and sprockets.

The drive chain should be checked, adjusted and lubricated as part of the Pre-ride Inspection (page 42 ). Under severe usage, or when the motorcycle is ridden in unusually dusty or muddy areas, more frequent maintenance will be necessary.

### Inspection:

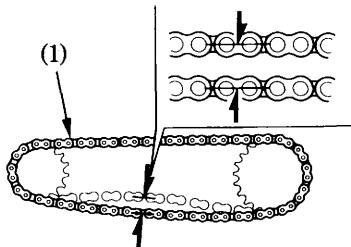
1. Turn the engine off, raise the rear wheel off the ground by placing a support under the engine, and shift the transmission into neutral.
2. Check slack in the lower drive chain run midway between the sprockets.  
Drive chain slack should be adjusted to allow the following vertical movement by hand:

30 – 40 mm (1.2 – 1.6 in)

3. Roll the motorcycle forward. Stop. Check the drive chain slack. Repeat this procedure several times. Drive chain slack should remain constant. If the chain is slack only in certain sections, some links are kinked and binding. Binding and kinking can frequently be eliminated by lubrication.

### NOTICE

Excessive chain slack may allow the drive chain to damage the engine cases.



(1) Drive chain

4. Roll the motorcycle forward. Stop and place it on its side stand. Inspect the drive chain and sprockets for any of the following conditions:

#### DRIVE CHAIN

- \*Damaged Rollers
- \*Loose Pins
- \*Dry or Rusted Links
- \*Kinked or Binding Links
- \*Excessive Wear
- \*Improper Adjustment
- \*Damaged or Missing O-rings

#### SPROCKETS

- \*Excessively Worn Teeth
- \*Broken or Damaged Teeth

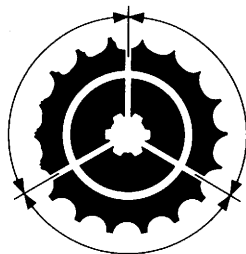
A drive chain with damaged rollers, loose pins, or missing O-rings must be replaced. A chain which appears dry, or shows signs of rust, requires supplementary lubrication. Kinked or binding links should be thoroughly lubricated and worked free. If links cannot be freed, the chain must be replaced.

Damaged sprocket  
Teeth

Replace

Worn sprocket  
Teeth

Replace

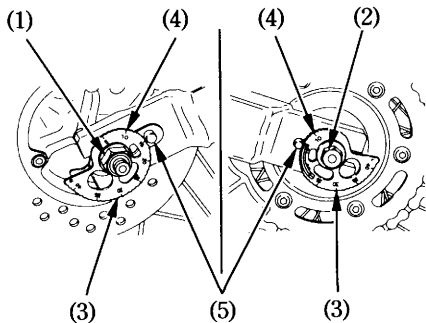


Normal sprocket Teeth

**GOOD**

### Adjustment:

Drive chain slack should be checked and adjusted, if necessary, every 1,000 km (600 miles). When operated at sustained high speeds or under conditions of frequent rapid acceleration, the chain may require more frequent adjustment.



If the drive chain requires adjustment, the procedure is as follows:

1. Place the motorcycle on its side stand with the transmission in neutral and the ignition switch off.
2. Loosen the rear axle nut (1) while holding the rear axle shaft (2).
3. Turn both the right and left adjusters (3) equally to increase or decrease chain slack.

Adjust the chain slack at a point midway between the drive sprocket and the driven sprocket.

After adjusting, be sure the same adjuster index marks (4) align with the stopper pins (5) on both sides of the swingarm.

Roll the motorcycle forward. Stop and place it on its side stand.

Recheck chain slack.

Chain slack should be:

30–40 mm (1.2–1.6 in)

- (1) Rear axle nut  
(2) Rear axle shaft  
(3) Adjusters

- (4) Index marks  
(5) Stopper pins

If the drive chain slack is excessive when the rear axle is moved to the furthest limit of adjustment, the drive chain is worn and must be replaced.

4. Tighten the rear axle nut to the specified torque. Rear axle nut torque:  
93 N·m (9.5 kgf·m , 69 lbf·ft)

If a torque wrench is not used for this installation, see your Honda dealer as soon as possible to verify proper assembly.

5. Recheck drive chain slack.

### Wear Inspection:

Check the chain wear label when adjusting the chain. If the red zone (1) on the label aligns with the stopper pin (2) on the swingarm after the chain has been adjusted to the proper slack, the chain is excessively worn and must be replaced. The proper slack is:

30–40 mm (1.2–1.6 in)

Damage to the bottom part of the frame may be caused by excessive drive chain slack of more than:

60 mm (2.4 in)

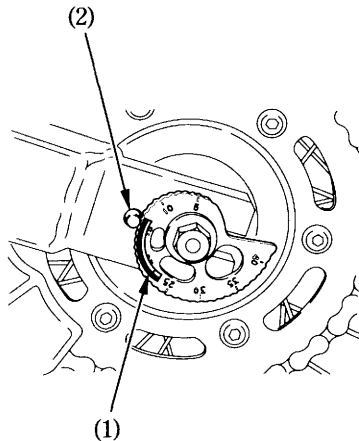
### Replacement Chain:

DID520V

or

RK520MOZ9

This motorcycle has a staked master link drive chain which requires a special tool for cutting and staking. Do not use an ordinary master link with this chain. See your Honda dealer.



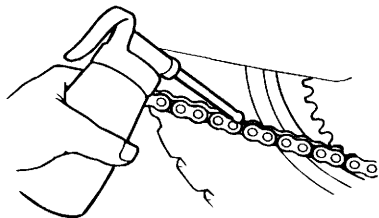
- (1) Red zone
- (2) Stopper pin

### Lubrication and Cleaning:

Lubricate every 1,000 km (600 miles) or sooner if chain appears dry.

The drive chain on this motorcycle is equipped with small O-rings between the link plates. These O-rings retain grease inside the chain to improve its service life.

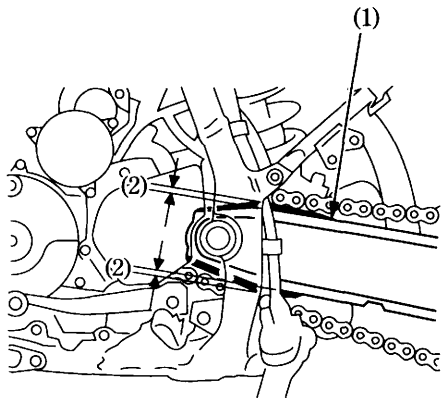
The O-rings in this chain can be damaged by steam cleaning, high pressure washers, and certain solvents. Clean the side surfaces of the chain with a dry cloth. Do not brush the rubber O-rings. Brushing will damage them. Wipe dry and lubricate only with SAE 80 or 90 gear oil. Commercial chain lubricants may contain solvents which could damage the rubber O-rings.



## DRIVE CHAIN SLIDER

Refer to the Safety Precautions on page 56 .

Check the chain slider (1) for wear.  
The chain slider must be replaced if the  
ridge (2) is worn. For replacement, see  
your Honda dealer.



- (1) Chain slider
- (2) Ridge



## **FRONT AND REAR SUSPENSION INSPECTION**

Refer to the Safety Precautions on page 56 .

1. Check the fork assembly by locking the front brake and pumping the fork up and down vigorously. Suspension action should be smooth and there must be no oil leakage.
2. Swingarm bearings should be checked by pushing hard against the side of the rear wheel while the motorcycle is on a support block. Freeplay indicates worn bearings.
3. Carefully inspect all front and rear suspension fasteners for tightness.

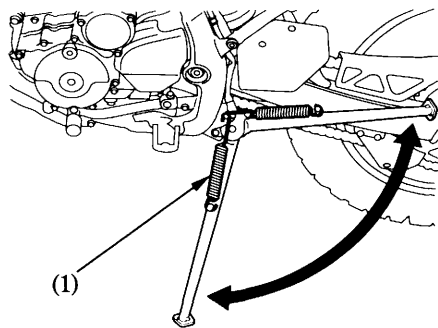
## SIDE STAND

Refer to the Safety Precautions on page 56 .

Perform the following maintenance in accordance with the maintenance schedule.

### Functional Check:

- Check the side stand spring (1) for damage or loss of tension and the side stand assembly for freedom of movement.
- Check the side stand ignition cut-off system:
  1. Sit astride the motorcycle; put the side stand up and the transmission in neutral.
  2. Start the engine and with the clutch lever pulled in, shift the transmission into gear.
  3. Lower the side stand. The engine should stop as you put the side stand down.



(1) Side stand spring

If the side stand system does not operate as described, see your Honda dealer for service.

## WHEEL REMOVAL

Refer to the Safety Precautions on page 56 .

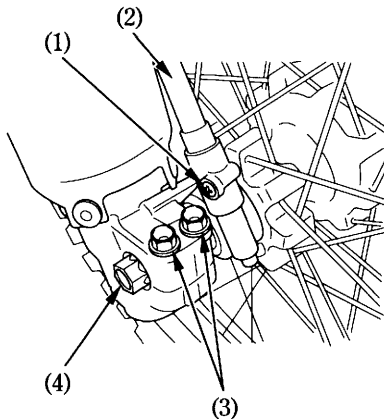
This motorcycle is equipped with a side stand only. Therefore, if front or rear wheel removal is required, it will be necessary to raise the center of the motorcycle with a jack or other firm support. If none is available, see your Honda dealer for this service.

### Front Wheel Removal

1. Raise the front wheel off the ground by placing a support block under the engine.
2. Remove the speedometer cable set screw (1) and disconnect the speedometer cable (2).
3. Loosen the axle holder nuts (3).
4. Unscrew the front axle shaft (4).  
Remove the wheel and side collar.

Do not depress the brake lever when the wheel is off the motorcycle. The caliper pistons will be forced out of the cylinders with subsequent loss of brake fluid. If this occurs, servicing of the brake system will be

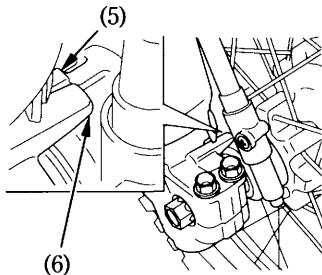
necessary. See your Honda dealer for this service.



- (1) Speedometer cable set screw
- (2) Speedometer cable
- (3) Axle holder nuts
- (4) Front axle shaft

### Installation:

1. Install the side collar into the left side wheel hub.
2. Position the wheel between the fork legs and insert the front axle shaft from the right side, through the right fork leg and wheel hub.
  - Make sure that the lug (5) on the speedometer gearbox is located behind the lug (6) on the right fork leg.



(5) Lug (speedometer gearbox)

(6) Lug (right fork leg)

When installing the wheel, carefully fit the brake disc between the brake pads to avoid damaging the pads.

3. Tighten the front axle shaft to the specified torque.

Front axle shaft torque:

88 N·m (9.0 kgf·m , 65 lbf·ft)

4. Tighten the axle holder nuts to the specified torque,

Axle holder nut torque:

20 N·m (2.0 kgf·m , 15 lbf·ft)

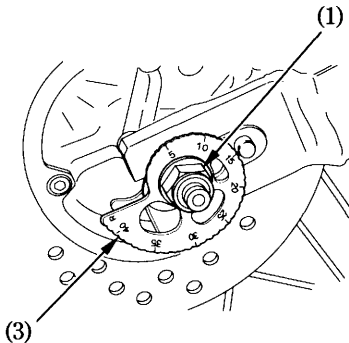
5. After installing the wheel, apply the brake several times and then check if the wheel rotates freely. Recheck the wheel if the brake drags or if the wheel does not rotate freely.

If a torque wrench was not used for installation, see your Honda dealer as soon as possible to verify proper assembly. Improper assembly may lead to loss of braking capacity.

6. Install the speedometer cable and tighten the screw securely.

## Rear Wheel Removal

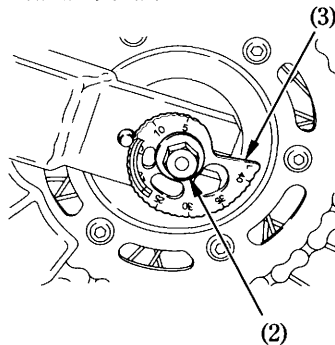
1. Raise the rear wheel off the ground by placing a support block under the engine.
2. Loosen the rear axle nut (1) while holding the rear axle shaft (2).



- (1) Rear axle nut  
(2) Rear axle shaft

(3) Adjusters

3. Turn both adjusters (3) so the rear wheel can be moved all the way forward for maximum drive chain slack.
4. Move the rear wheel forward. Derail the drive chain from the driven sprocket.
5. Move the rear axle shaft back all the way to the swingarm end.
6. Remove the rear axle nut, axle washer, chain adjusters, stopper plate and pull out the rear axle shaft.



## 7. Remove the rear wheel and side collars.

Do not depress the brake pedal while the wheel is off the motorcycle. The caliper piston will be forced out of the cylinder with subsequent loss of brake fluid. If this occurs, servicing of the brake system will be necessary. See your Honda dealer for this service.

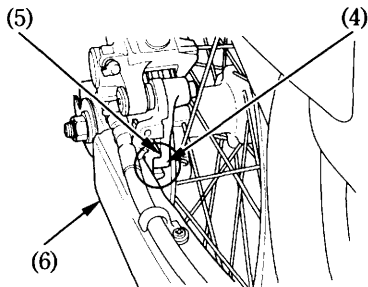
### Installation:

- To install the rear wheel, reverse the removal procedure.
1. Install the side collars into the left and right side wheel hub.
  2. Make sure that the lug (4) on the brake stopper plate is located in the slot (5) in the swingarm (6).
  3. Tighten the rear axle nut to the specified torque. Rear axle nut torque:  
93 N·m (9.5 kgf·m , 69 lbf·ft)
  4. Adjust the drive chain (page 80 ).

When installing the wheel, carefully fit the brake disc between the brake pads to avoid damaging the pads.

5. After installing the wheel, apply the brake several times and then check if the wheel rotates freely. Recheck the wheel if the brake drags or if the wheel does not rotate freely.

If a torque wrench was not used for installation, see your Honda dealer as soon as possible to verify proper assembly. Improper assembly may lead to loss of braking capacity.



(4) Lug  
(5) Slot

(6) Swingarm

## BRAKE PAD WEAR

Refer to the Safety Precautions on page 56 .

Brake pad wear depends upon the severity of usage, the type of riding, and road conditions. (Generally, the pads will wear faster on wet and dirty roads.)

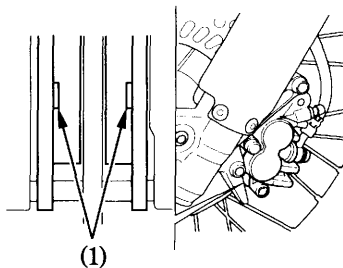
Inspect the pads at each regular maintenance interval (page 59 ).

### Front/Rear Brake

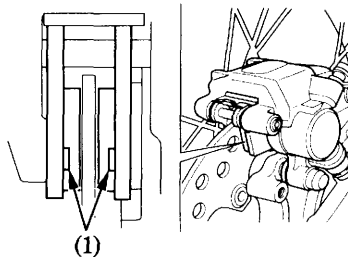
Check the cutout (1) in each pad.

If either pad is worn to the cutout, replace both pads as a set. See your Honda dealer for this service.

#### < FRONT BRAKE >



#### < REAR BRAKE >



(1) Cutout

## **BATTERY**

Refer to the Safety Precautions on page 56 .

It is not necessary to check the battery electrolyte level or add distilled water as the battery is a maintenance-free (sealed) type. If your battery seems weak and/or is leaking electrolyte (causing hard starting or other electrical troubles), contact your Honda dealer.

### **NOTICE**

Your battery is a maintenance-free type and can be permanently damaged if the cap strip is removed.

## **⚠ WARNING**

The battery gives off explosive hydrogen gas during normal operation.

A spark or flame can cause the battery to explode with enough force to kill or seriously hurt you.

Wear protective clothing and a face shield, or have a skilled mechanic do the battery maintenance.



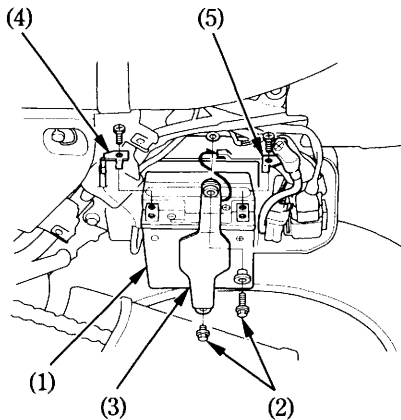
### Removal:

The battery (1) is in the battery box behind the left side cover.

1. Make sure the ignition switch is OFF.
2. Remove the left side cover (page 39).
3. Remove the bolts (2) and battery holder (3).
4. Disconnect the negative (-) terminal lead (4) from the battery first, then disconnect the positive (+) terminal lead (5).
5. Pull out the battery from the battery box.

### Installation:

1. Reinstall in the reverse order of removal. Be sure to connect the positive (+) terminal first, then the negative (-) terminal.
2. Check all bolts and other fasteners are secure.



- (1) Battery
- (2) Bolts
- (3) Battery holder
- (4) Negative (-) terminal lead
- (5) Positive (+) terminal lead

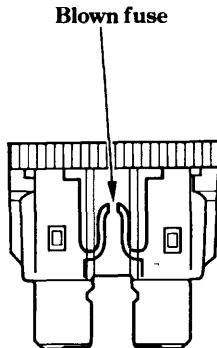
## FUSE REPLACEMENT

Refer to the Safety Precautions on page 56 .

When frequent fuse failure occurs, it usually indicates a short circuit or an overload in the electrical system. See your Honda dealer for repair.

### NOTICE

Never use a fuse with a different rating from that specified. Serious damage to the electrical system or a fire may result, causing a dangerous loss of lights or engine power.



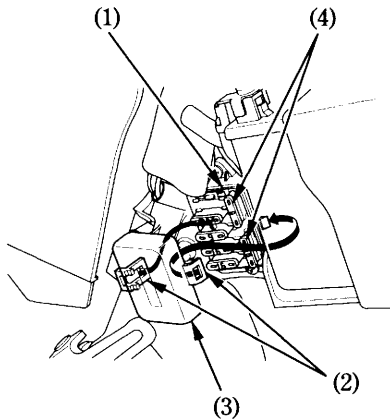
### Fuse Box:

The fuse box (1) is located behind the left side cover.

The specified fuses are:

**15A, 5A**

1. Remove the left side cover (page 39 ).
2. Release the tabs (2), then remove the fuse box cover (3).
3. Pull out the old fuse and install a new fuse.  
The spare fuses (4) are located in the fuse box.
4. Install the fuse box cover and the left side cover.



- (1) Fuse box
- (2) Tabs
- (3) Fuse box cover
- (4) Spare fuses

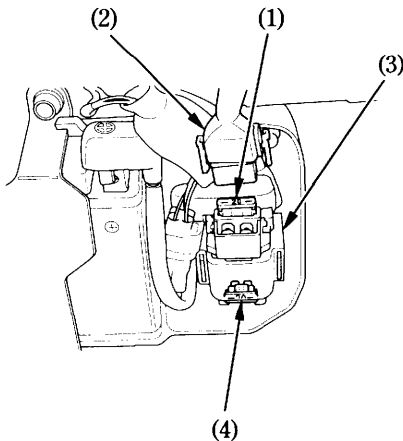
### Main Fuse:

The main fuse (1) is located behind the left side cover.

The specified fuse is:

20A

1. Remove the left side cover (page 39 ).
2. Disconnect the wire connector (2) of the starter magnetic switch (3).
3. Pull out the fuse. If the main fuse is blown, install a new fuse.  
The spare main fuse (4) is located under the starter magnetic switch.
4. Reconnect the wire connector and install the left side cover.



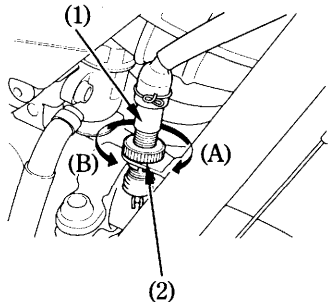
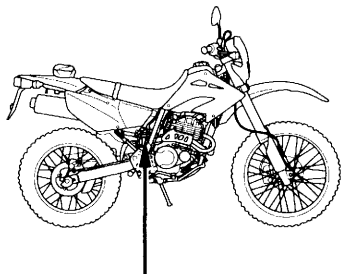
- (1) Main fuse
- (2) Wire connector
- (3) Starter magnetic switch
- (4) Spare main fuse

## **BRAKELIGHT SWITCH ADJUSTMENT**

Refer to the Safety Precautions on page 56 .

Check the operation of the brakelight switch (1) at the right side behind the engine from time to time.

Adjustment is done by turning the adjusting nut (2). Turn the nut in the direction (A) if the switch operates too late and in direction (B) if the switch operates too soon.



(1) Brakelight switch

(2) Adjusting nut

## **BULB REPLACEMENT**

Refer to the Safety Precautions on page 56 .

The light bulb becomes very hot while the light is ON, and remains hot for a while after it is turned OFF. Be sure to let it cool down before servicing.

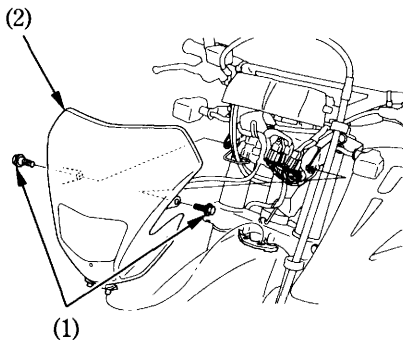
Do not put finger prints on the headlight bulb, as they may create hot spots on the bulb and cause it to break.

Wear clean gloves while replacing the bulb. If you touch the bulb with your bare hands, clean it with a cloth moistened with alcohol to prevent its early failure.

- Be sure to turn the ignition switch OFF when replacing the bulb.
- Do not use bulbs other than those specified.
- After installing a new bulb, check that the light operates properly.

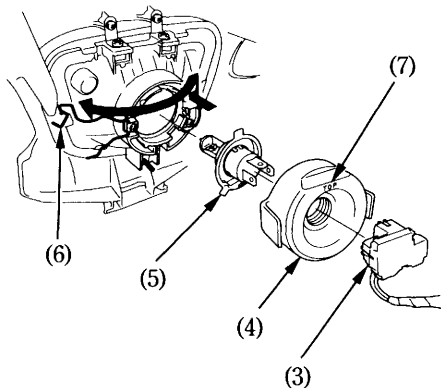
## Headlight Bulb

1. Remove the mounting bolts (1) and the headlight case (2).
2. Disconnect the connector (3).
3. Remove the seat rubber (4).
4. Remove the headlight bulb (5) while pressing down on the pin (6).



- (1) Mounting bolts  
(2) Headlight case

5. Install a new bulb in the reverse order of removal.
  - Install the seat rubber with its “TOP” mark (7) facing up.

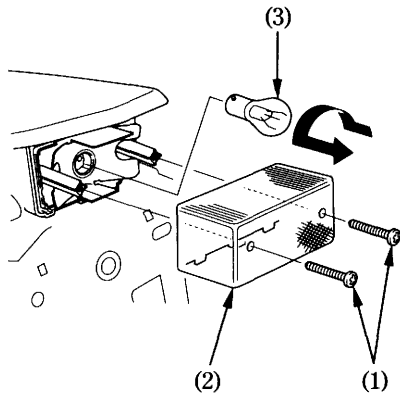


- (3) Connector  
(4) Seat rubber  
(5) Headlight bulb

- (6) Pin  
(7) “TOP” mark

## Brake/Tail Light Bulb

1. Remove the screws (1).
2. Remove the taillight lens (2).
3. Slightly press the bulb (3) and turn it counterclockwise.
4. Install a new bulb in the reverse order of removal.

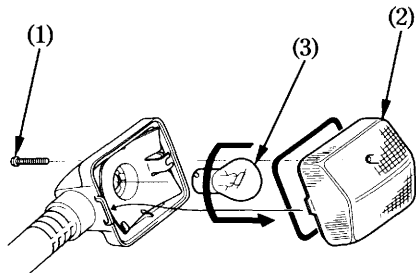


- (1) Screws
- (2) Taillight lens
- (3) Bulb



### Front/Rear Turn Signal Bulb

1. Remove the screw (1) and remove the turn signal lens (2).
2. Slightly press the bulb (3) and turn it counterclockwise.
3. Install a new bulb in the reverse order of removal.



(1) Screw

(2) Turn signal lens

(3) Bulb

## **CLEANING**

Clean your motorcycle regularly to protect the surface finishes and inspect for damage, wear, and oil or brake fluid leakage.

Avoid cleaning products that are not specifically designed for motorcycle or automobile surfaces.

They may contain harsh detergents or chemical solvents that could damage the metal, paint, and plastic on your motorcycle.

If your motorcycle is still warm from recent operation, give the engine and exhaust system time to cool off.

We recommend avoiding the use of high pressure water spray (typical in coin-operated car washes).

### **NOTICE**

High pressure water (or air) can damage certain parts of the motorcycle.

### **Washing the motorcycle**

1. Rinse the motorcycle thoroughly with cool water to remove loose dirt.
2. Clean the motorcycle with a sponge or soft cloth using cool water.  
Avoid directing water to muffler outlets and electrical parts.
3. Clean the plastic parts using a cloth or sponge dampened with a solution of mild detergent and water. Rub the soiled area gently rinsing it frequently with fresh water.  
Take care to keep brake fluid or chemical solvents off the motorcycle.  
They will damage the plastic and painted surfaces.

The inside of the headlight lens may be clouded immediately after washing the motorcycle. Moisture condensation inside the headlight lens will disappear gradually by lighting the headlight in high beam. Run the engine while keeping the headlight on.

4. After cleaning, rinse the motorcycle thoroughly with plenty of clean water. Strong detergent residue can corrode alloy parts.
5. Dry the motorcycle, start the engine, and let it run for several minutes.
6. Test the brakes before riding the motorcycle. Several applications may be necessary to restore normal braking performance.
7. Lubricate the drive chain immediately after washing and drying the motorcycle.

Braking efficiency may be temporarily impaired immediately after washing the motorcycle.  
Anticipate longer stopping distance to avoid a possible accident.

### **Finishing Touches**

After washing your motorcycle, consider using a commercially-available spray cleaner/polish or quality liquid or paste wax to finish the job. Use only a non-abrasive polish or wax made specifically for motorcycles or automobiles. Apply the polish or wax according to the instructions on the container.

### **Removing Road Salt**

The salt contained in the road surface freezing prevention medicine which a road was sprayed with in winter, and the seawater becomes the cause which rust occurs in.

Wash your motorcycle by the following point after it runs through such a place.

1. Clean the motorcycle using cool water (page 103 ).

Do not use warm water.

This worsens the effect of the salt.

2. Dry the motorcycle and the surface of the metal is protected with the wax.

### **Exhaust Pipe And Muffler Maintenance**

The exhaust pipe and muffler is stainless steel but may become stained by mud or dust.

To remove mud or dust, use a wet sponge and a liquid kitchen abrasive, then rinse well with clean water. Dry with chamois or a soft towel.

If necessary, remove heat stains by using a commercially available fine texture compound. Then rinse by the same manner as removing mud or dust.

## STORAGE GUIDE

Extended storage, such as for winter, requires that you take certain steps to reduce the effects of deterioration from non-use of the motorcycle. In addition, necessary repairs should be made **BEFORE** storing the motorcycle; otherwise, these repairs may be forgotten by the time the motorcycle is removed from storage.

### STORAGE

1. Change the engine oil and filter.
2. Empty the fuel tank into an approved petrol container using a commercially available hand siphon or an equivalent method. Spray the inside of the tank with an aerosol rust-inhibiting oil.  
Reinstall the fuel fill cap on the tank.

To assure proper performance after storage lasting more than one month, it is important to drain the carburetor.

## WARNING

Petrol is highly flammable and explosive. You can be burned or seriously injured when handling fuel.

- Stop the engine and keep heat, sparks, and flame away.
- Refuel only outdoors.
- Wipe up spills immediately.

3. To prevent rusting in the cylinder, perform the following:
  - Remove the spark plug cap from the spark plug. Using tape or string, secure the cap to any convenient plastic body part so that it is positioned away from the spark plug.
  - Remove the spark plug from the engine and store it in a safe place. Do not connect the spark plug to the spark plug cap.
  - Pour a tablespoon (15–20 cm<sup>3</sup>) of clean engine oil into the cylinder and cover the spark plug hole with a piece of cloth.
  - Crank the engine several times to distribute the oil.
  - Reinstall the spark plug and spark plug cap.
4. Remove the battery. Store in an area protected from freezing temperatures and direct sunlight.  
Slow charge the battery once a month.
5. Wash and dry the motorcycle. Wax all painted surfaces. Coat chrome with rustinhibiting oil.
6. Lubricate the drive chain (page 83 ).
7. Inflate the tyres to their recommended pressures. Place the motorcycle on blocks to raise both tyres off the ground.
8. Cover the motorcycle (don't use plastic or other coated materials) and store in an unheated area, free of dampness with a minimum of daily temperature variation. Do not store the motorcycle in direct sunlight.

## **REMOVAL FROM STORAGE**

1. Uncover and clean the motorcycle.
2. Change the engine oil if more than 4 months have passed since the start of storage.
3. Charge the battery as required. Install the battery.
4. Drain any excess aerosol rust-inhibiting oil from the fuel tank. Fill the fuel tank with fresh petrol.
5. Perform all Pre-ride Inspection checks (page 42 ).  
Test ride the motorcycle at low speeds in a safe riding area away from traffic.

# SPECIFICATIONS

## DIMENSIONS

Overall length	2,180 mm (85.8 in)
Overall width	810 mm (31.9 in)
Overall height	1,180 mm (46.5 in)
Wheelbase	1,425 mm (56.1 in)

## CAPACITIES

Engine oil	
After draining:	1.3 ℓ (1.4 US qt , 1.1 Imp qt)
After draining and oil filter change:	1.4 ℓ (1.5 US qt , 1.2 Imp qt)
After disassembly:	1.7 ℓ (1.8 US qt , 1.5 Imp qt)
Fuel tank	9.3 ℓ (2.46 US gal , 2.05 Imp gal)
Fuel reserve tank	2.9 ℓ (0.77 US gal , 0.64 Imp gal)
Passenger capacity	Operator and one passenger
Maximum weight capacity	159 kg (351 lbs)



## ENGINE

Bore and stroke	73.0 × 59.5 mm (2.87 × 2.34 in)
Compression ratio	9.3 : 1
Displacement	249 cm <sup>3</sup> (15.2 cu-in)
Spark plug	
Standard	CR8EH-9 (NGK) or U24FER9 (DENSO)
For cold climate (Below 5°C, 41°F)	CR7EH-9 (NGK) or U22FER9 (DENSO)
For extended high speed riding	CR9EH-9 (NGK) or U27FER9 (DENSO)
Spark plug gap	0.8-0.9 mm (0.03-0.04 in)
Valve clearance	Intake: 0.10 mm (0.004 in)
	Exhaust: 0.12 mm (0.005 in)
Idle speed	1,300 ± 100 min <sup>-1</sup> (rpm)

## CHASSIS AND SUSPENSION

Caster	26°30'
Trail	105 mm (4.1 in)
Tyre size, front	3.00 – 21 51P DUNLOP D605FG
Tyre size, rear	4.60 – 18 63P DUNLOP D605G
Tyre type	bias-ply, tube

## POWER TRANSMISSION

Primary reduction	3.100
Final reduction	3.076
Gear ratio, 1st	2.769
2nd	1.882
3rd	1.380
4th	1.083
5th	0.923
6th	0.814

## **ELECTRICAL**

Battery

12V – 4Ah

Generator

0.204 kW/5,000 min<sup>-1</sup> (rpm)

## **LIGHTS**

Headlight

12V – 60/55W

Brake/Tail light

12V – 21/5W

Turn signal light

Front

12V – 21W

Rear

12V – 21W

Instrument light

12V – 3.4W

High beam indicator

12V – 1.7W

Turn signal indicator

12V – 3.4W

Neutral indicator

12V – 3.4W

## **FUSE**

Main fuse

20A

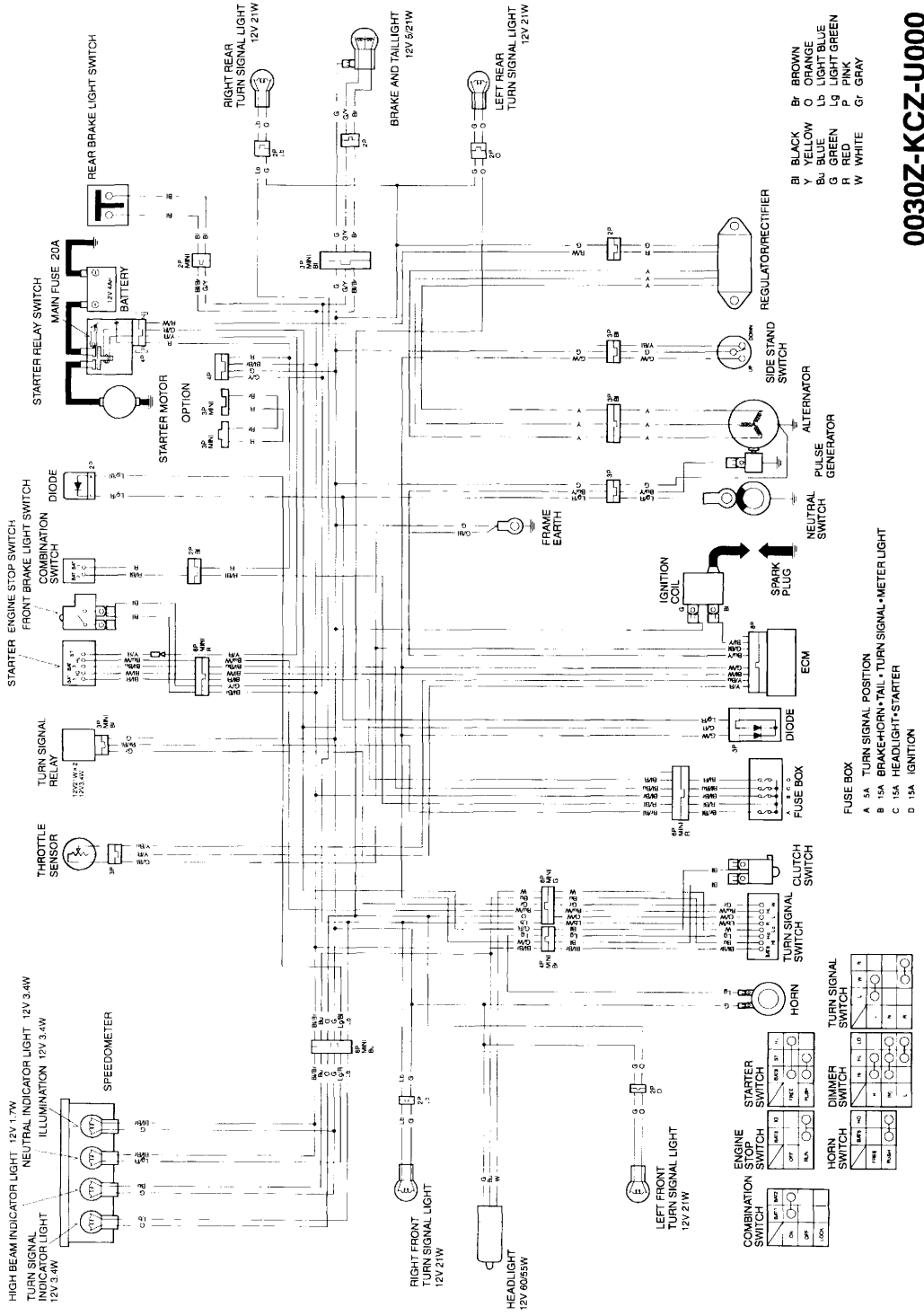
Other fuses

15A, 5A

## **NOISE CONTROL SYSTEM**

**TAMPERING WITH THE NOISE CONTROL SYSTEM IS PROHIBITED:** Owners are warned that the law may prohibit : (a) The removal or rendering inoperative by any person other than for purposes of maintenance, repair, or replacement, of any device or element of design incorporated into any new vehicle for the purpose of noise control prior to its sale or delivery to the ultimate purchaser or while it is in use; and (b) the use of the vehicle after such device or element of design has been removed or rendered inoperative by any person.

# XR250 (U)



- B BLACK
- O ORANGE
- Y YELLOW
- G LIGHT GREEN
- R RED
- P PINK
- W WHITE
- BR BROWN
- LD LIGHT BLUE
- LG LIGHT GREEN
- GR GRAY

- FUSE BOX
- A 5A TURN SIGNAL POSITION
  - B 15A BRAKE-HORN-TAIL-TURN SIGNAL-METER LIGHT
  - C 15A HEADLIGHT-STARTER
  - D 15A IGNITION

0030Z-KCZ-U000

